

JACK GUIDES (MALE)-POLARISED

DIMENSION A
9.30 MAX
17.80 MAX

Style CK/CL
Rotating Free Connector

DIMENSION A	DIMENSION B
12.80 MAX	4.0 NOM
11.50 MAX	5.0 NOM

Style CO/KC
Rotating Vertical Mounting or Free Connector

DIMENSION A	
MAX	MIN
4.30	4.10
6.70	6.40

Style CW/C8
Rotating Transverse Mounting

Style CV Rotating Transverse Mounting
FOR USE WITH **HPF** ONLY

Style CX
Rotating Transverse Mounting
For 1.6mm Thick Board-MTG Hole \varnothing 3.70
3.60

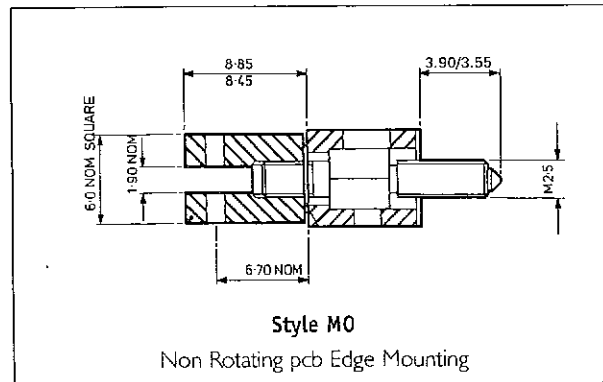
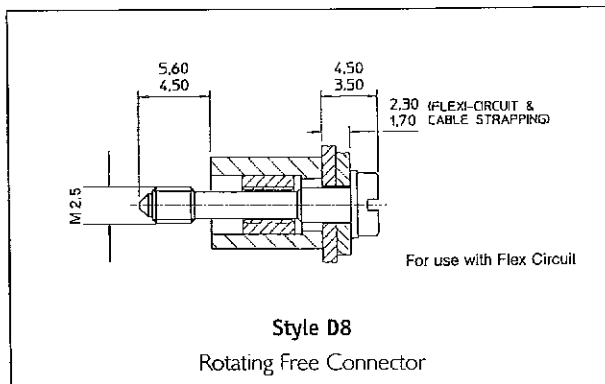
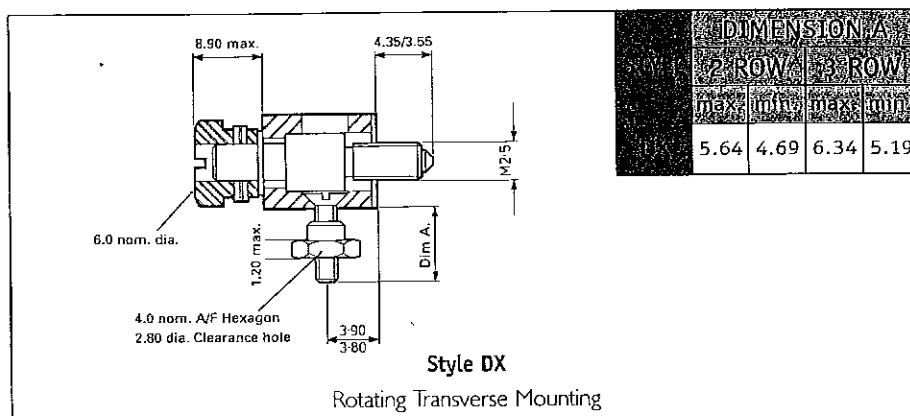
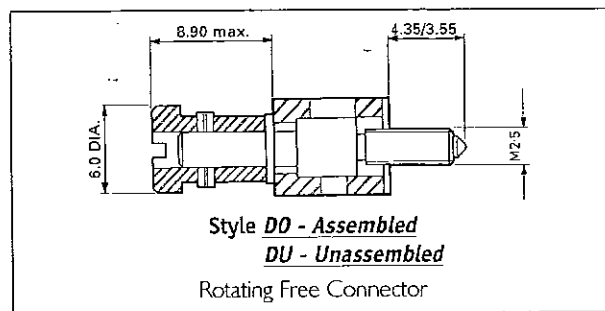
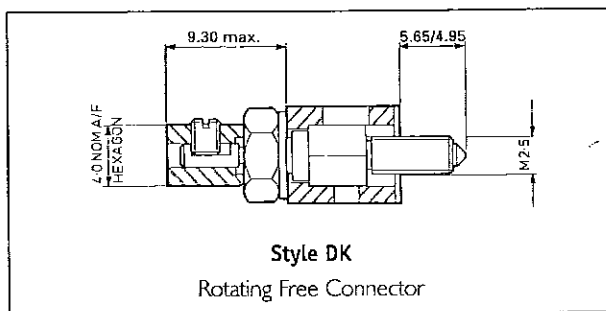
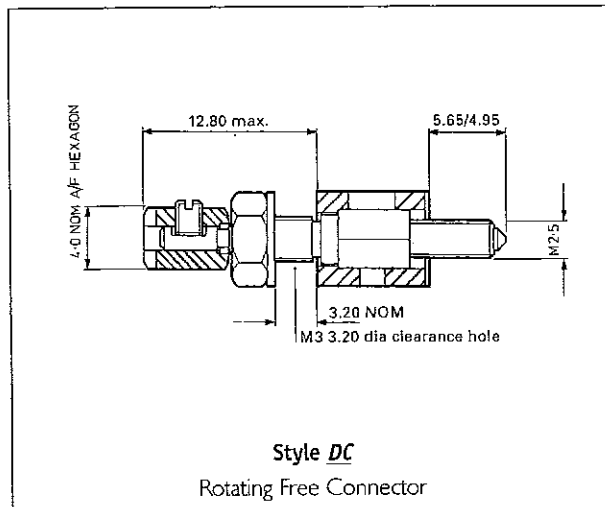
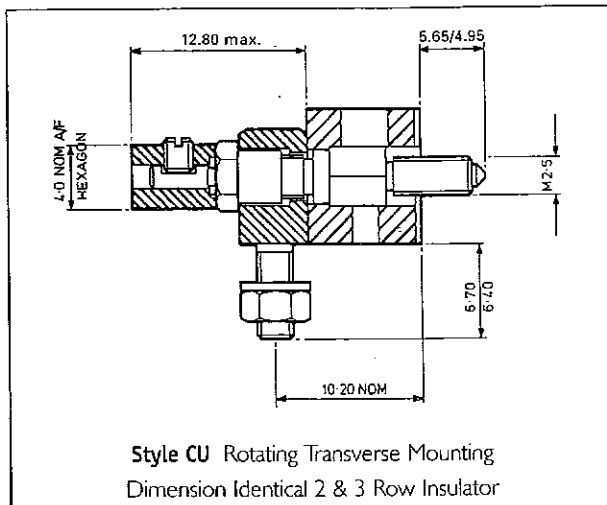
Note: On Assy to board, lock nut HPD-1236 with a suitable Threadlocking Compound

TWO PART PRINTED CIRCUIT BOARD CONNECTORS HPD-HPP-HPF-HPM

Hypertac Limited, Waterloo Road, London NW2 7UH Telephone 01 81 450 8033 Facsimile 01 81 208 3455

JACK GUIDES (MALE) - UNPOLARISED

TWO PART PRINTED CIRCUIT BOARD CONNECTORS HPD-HPP-HPF-HPM



Hypertac Limited, Waterloo Road, London NW2 7UH Telephone 0181 450 8033 Facsimile 0181 208 3455

JACK GUIDES (MALE)-UNPOLARISED

Style NA/NC/NH/NN
Non Rotating Transverse Mounting

DIMENSION A			
2 ROW		3 ROW	
max.	min.	max.	min.
4.30	3.59	4.71	3.88
5.30	4.59	5.71	4.88
6.36	5.53	6.60	6.09
8.25	7.74	8.71	7.88

When used in 62 & 80 position insulators add 0.28mm to Dimension A (3 Row)

Style NK
Non Rotating Transverse Mounting

Style NG
Non Rotating Transverse Mounting

DIMENSION A			
2 ROW		3 ROW	
max.	min.	max.	min.
5.30	4.59	5.71	4.88

When used in 62 & 80 position insulators add 0.28mm to Dimension A (3 Row)

Style NL
Non Rotating Transverse Mounting with Pin Protector

Style NM/NU
Non Rotating Transverse Mounting

DIMENSION A			
2 ROW		3 ROW	
max.	min.	max.	min.
5.85	4.59	6.22	5.72
7.85	6.59	8.25	6.99

When used in 62 & 80 position insulators add 0.28mm to Dimension A (3 Row)

Style NO/NP/NS
Non Rotating Transverse Mounting

DIMENSION A			
2 ROW		3 ROW	
max.	min.	max.	min.
3.30	2.59	3.65	2.94
4.30	3.59	4.71	3.88
5.30	4.59	5.71	4.88

When used in 62 & 80 position insulators add 0.28mm to Dimension A (3 Row)

Style N5
Non Rotating pcb Edge Mounting

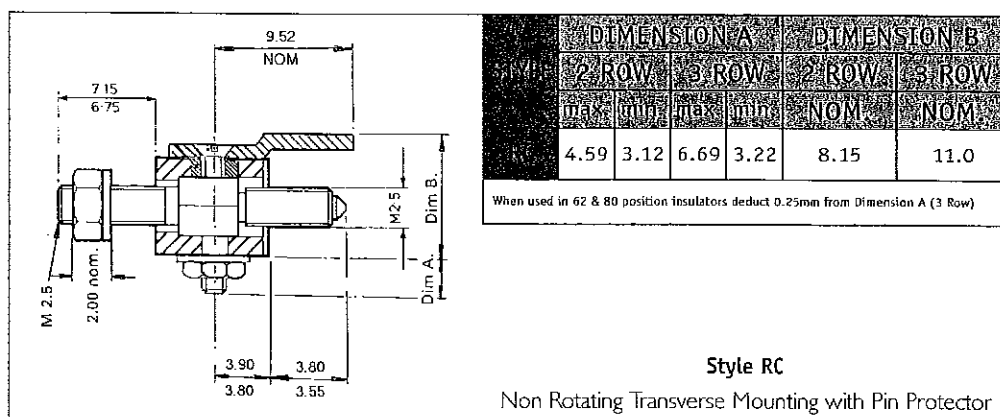
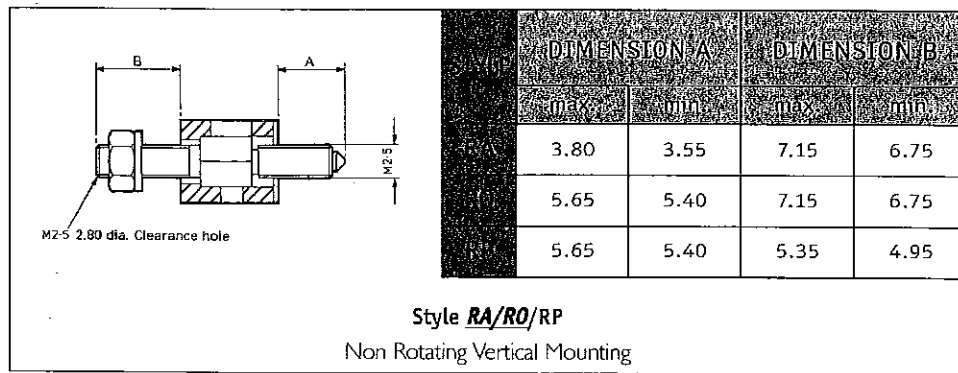
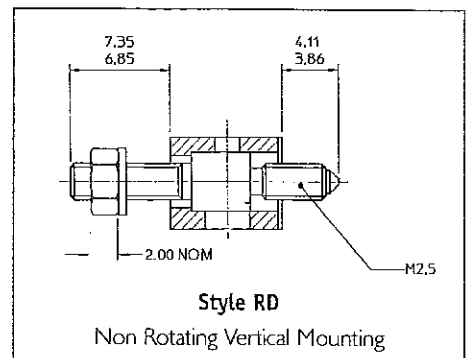
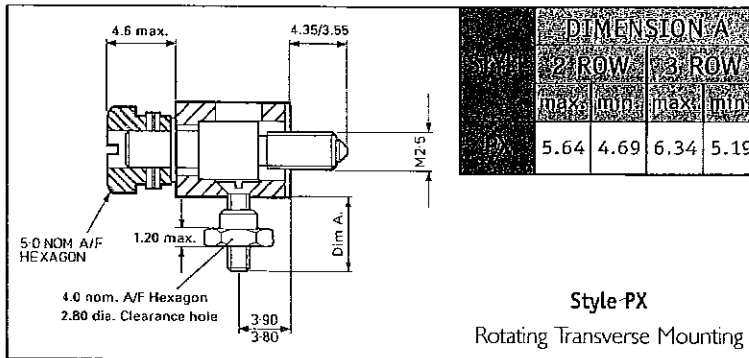
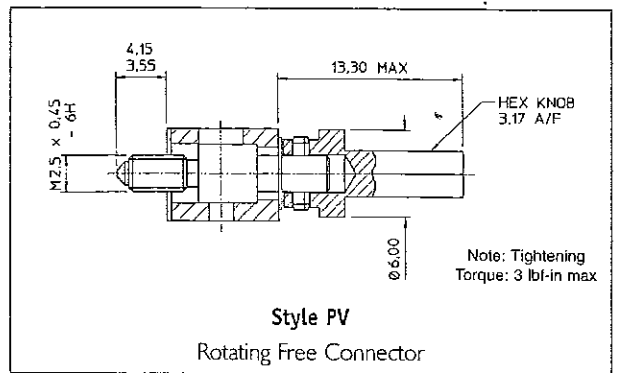
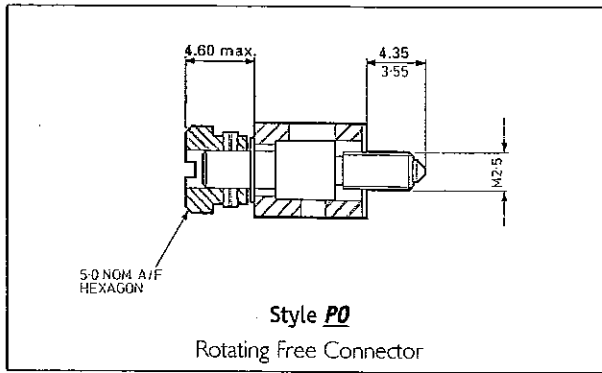
Style PA/PB
Rotating Free Connector

DIMENSION A CIRCLIP GROOVE DIMENSIONS				OUTSIDE DIA.
DIA. A		WIDTH		DIA. B
max.	min.	max.	min.	max.
1.90	1.84	0.56	0.54	4.5
2.30	2.24	0.66	0.64	6.0

TWO PART PRINTED CIRCUIT BOARD CONNECTORS
HPD-HPP-HPF-HPM

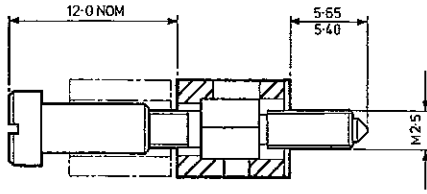
Hypertac Limited, Waterloo Road, London NW2 7UH Telephone 01 81 450 8033 Facsimile 01 81 208 3455

JACK GUIDES (MALE)-UNPOLARISED

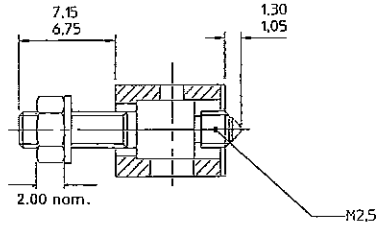


Hypertac Limited, Waterloo Road, London NW2 7UH Telephone 0181 450 8033 Facsimile 0181 208 3455.

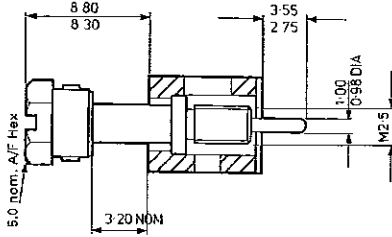
JACK GUIDES (MALE)-UNPOLARISED



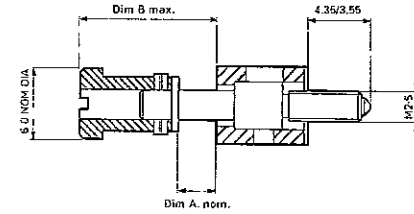
Style RN
Non Rotating IDC Termination



Style RX
Non Rotating Vertical Mounting

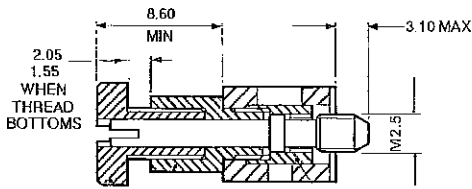


Style WO
Rotating Free Connector

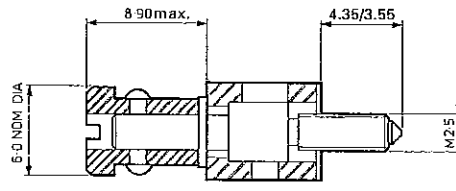


Style X0/Y0
Rotating Vertical Mounting (unassembled)

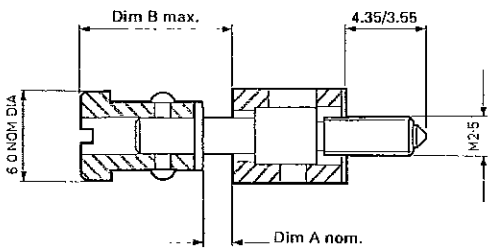
	DIMENSION A	DIMENSION B
1.60	10.85	
3.20	12.20	



Style YG
Rotating Free Connector

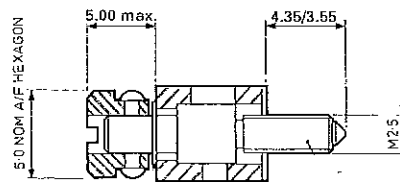


Style 1C
Rotating Free Connector



Style 1D/1E
Rotating Vertical Mounting

	DIMENSION A	DIMENSION B
1.60	10.85	
3.20	12.20	



Style 1G
Rotating Free Connector

TWO PART PRINTED CIRCUIT BOARD CONNECTORS
HPD-HPP-HPF-HPM

Hypertac Limited, Waterloo Road, London NW2 7UH Telephone 01 81 450 8033 Facsimile 01 81 208 3455

TWO PART PRINTED CIRCUIT BOARD CONNECTORS HPD-HPP-HPF-HPM

Hypertac Limited, Waterfoor Road, London NW2 7UH Telephone 0181 450 8033 Facsimile 0181 208 3455

GUIDES (MALE)-POLARISED

DIMENSION A			
2 ROW		3 ROW	
max	min	max	min
3.30	2.59	3.65	2.94
4.30	3.59	4.71	3.88
5.30	4.59	5.71	4.88

When used in 62 & 80 position insulators add 0.28mm to Dimension A (3 Row)

Style KA/KG/KW
Transverse Mounting

Style KK
Transverse Double Ended Guide

DIMENSION A			
2 ROW		3 ROW	
max	min	max	min
3.30	2.59	3.65	2.94
4.30	3.59	4.71	3.88
5.30	4.59	5.71	4.88

As 'KH' unassembled

When used in 62 & 80 position insulators deduct 0.25mm to Dimension A (3 Row)

Style KB/KE/KH/KV
Transverse Mounting with Pin Protector For use with **HPD/HPF** only

DIMENSION A			
2 ROW		3 ROW	
max	min	max	min
3.30	2.59	3.65	2.94

When used in 62 & 80 position insulators add 0.28mm to Dimension A (3 Row)

DIMENSION A			
2 ROW		3 ROW	
max	min	max	min
5.30	4.59	5.71	4.88
6.36	5.53	6.60	6.09

When used in 62 & 80 position insulators add 0.28mm to Dimension A (3 Row)

Style KD/KF
Transverse Mounting (unassembled)

Style KQ Transverse Mounting
FOR USE WITH **HPF** ONLY

DIMENSION A			
2 ROW		3 ROW	
max	min	max	min
3.30	2.59	3.65	2.94
4.30	3.59	4.71	3.88
5.30	4.59	5.71	4.88
6.36	5.53	6.60	6.09

As 'KO' unassembled

When used in 62 & 80 position insulators add 0.28mm to Dimension A (3 Row)

Style KM/KO/KP/KS/KU
Transverse Mounting

GUIDES (MALE)-POLARISED

DIMENSION A			
2 ROW		3 ROW	
max.	min.	max.	min.
4.59	3.12	4.69	3.22

When used in 62 & 80 position insulators deduct 0.25mm from Dimension A (3 Row)

Style KT
Transverse Mounting with Pin Protector
FOR USE WITH HPD/HPF ONLY

DIMENSION A			
2 ROW		3 ROW	
max.	min.	max.	min.
11.05	10.35	14.35	13.65

When used in 62 & 80 position insulators add 0.28mm to Dimension A (3 Row)

For use with HPD/HPF only

Style K1
Transverse Mounting (1.6 nom. pcb) with Pin Protector
(Pin Protector bonded to Insulator remainder of hardware unassembled)

Style K2
Non Rotating Vertical Mounting

DIMENSION A			
2 ROW		3 ROW	
max.	min.	max.	min.
7.30	6.90	7.50	7.10

Style K4
Transverse Mounting

Style K5 Pcb Edge Mounting
FOR USE WITH HPD/HPP ONLY

Style K6
Transverse Mounting

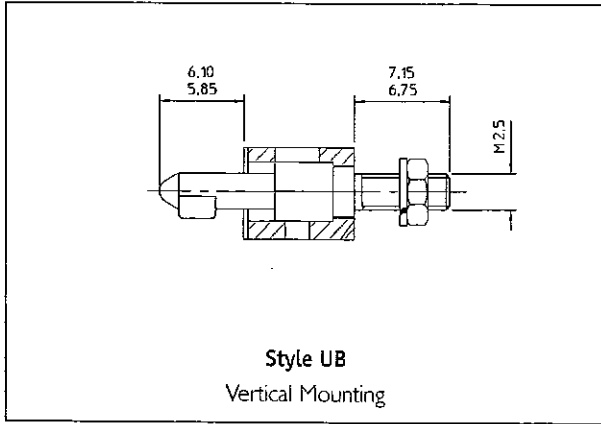
Style K7
Transverse Mounting

TWO PART PRINTED CIRCUIT BOARD CONNECTORS
HPD-HPP-HPF-HPM

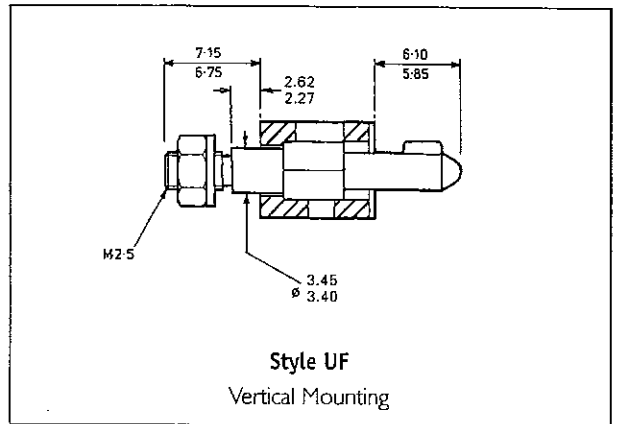
Hybertac Limited, Waterloo Road, London NW2 7UH Telephone 0181 450 8033 Facsimile 0181 208 3455

TWO PART PRINTED CIRCUIT BOARD CONNECTORS HPD-HPP-HPF-HPM

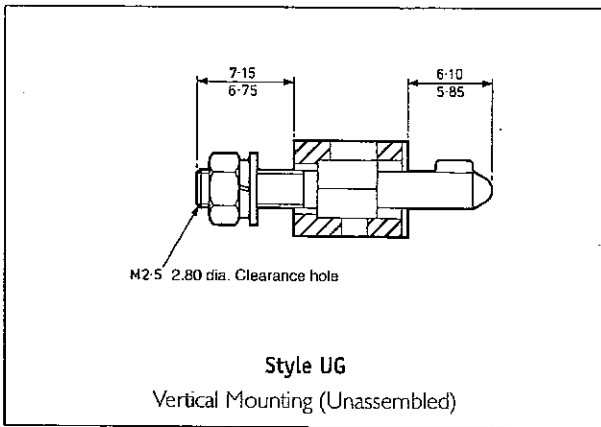
GUIDES (MALE)-POLARISED



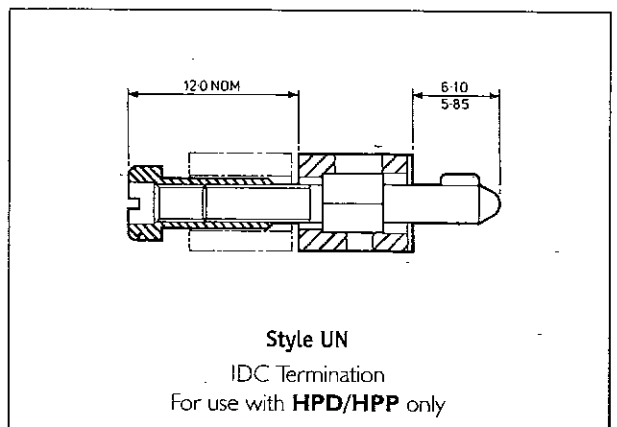
Style UB
Vertical Mounting



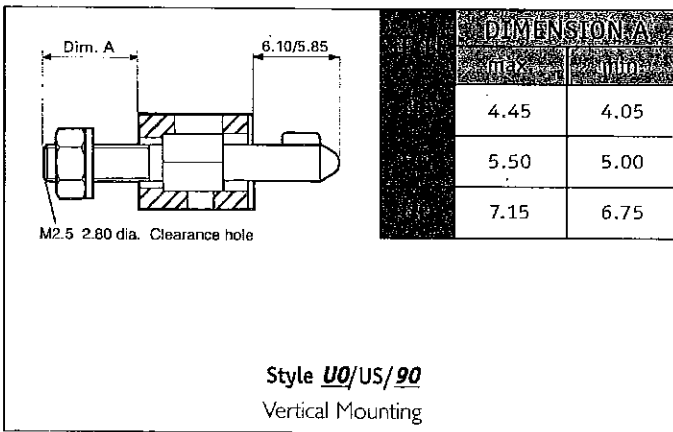
Style UF
Vertical Mounting



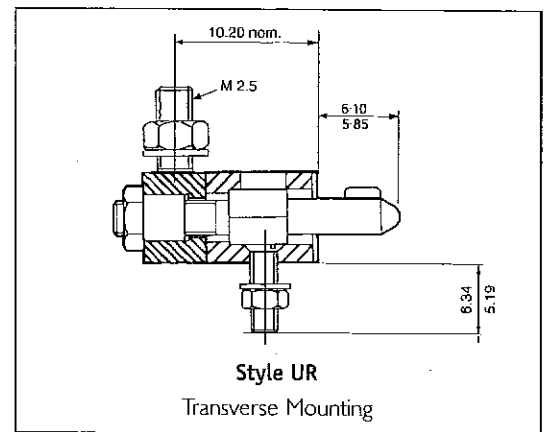
Style UG
Vertical Mounting (Unassembled)



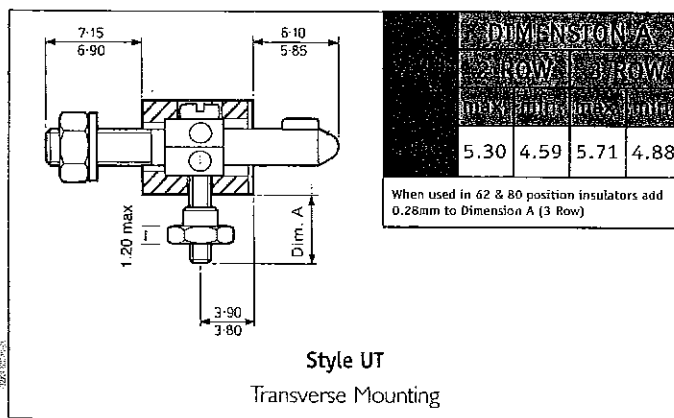
Style UN
IDC Termination
For use with **HPD/HPP** only



Style UO/US/90
Vertical Mounting



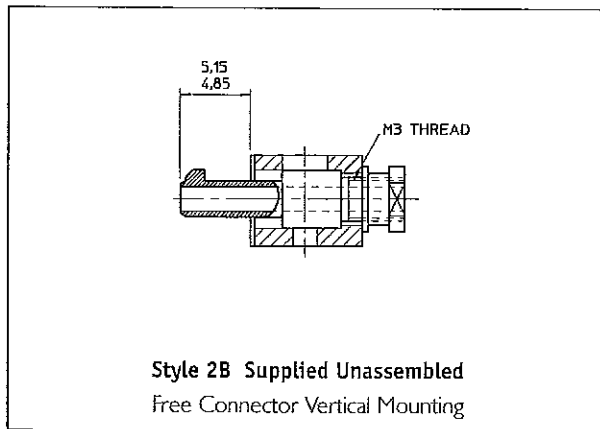
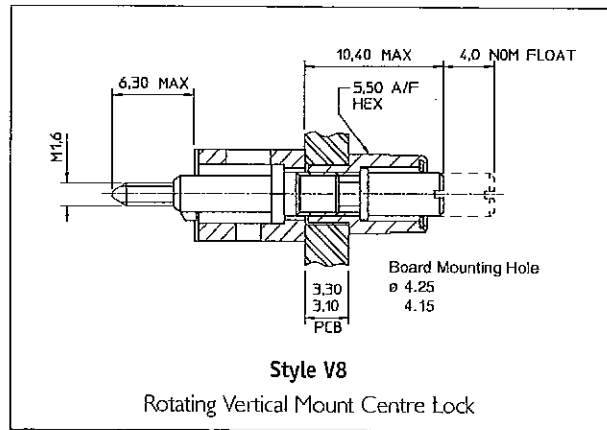
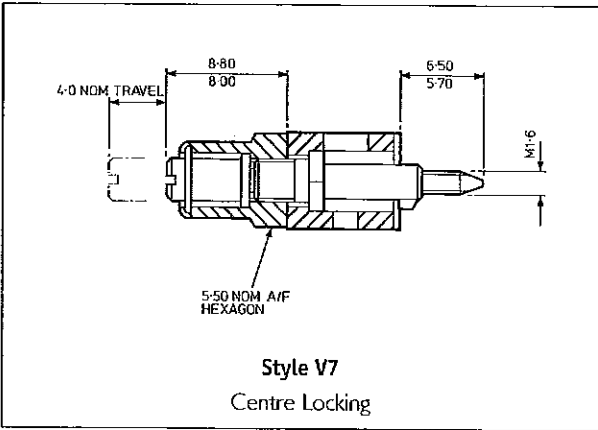
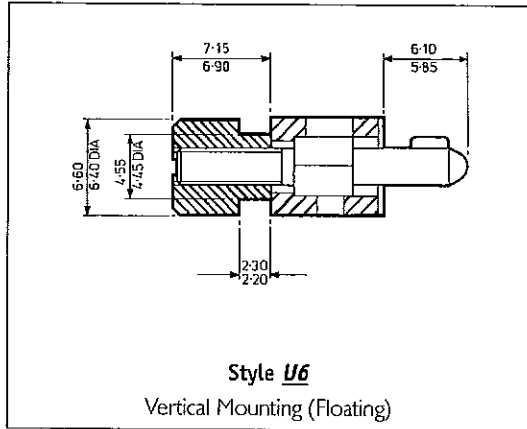
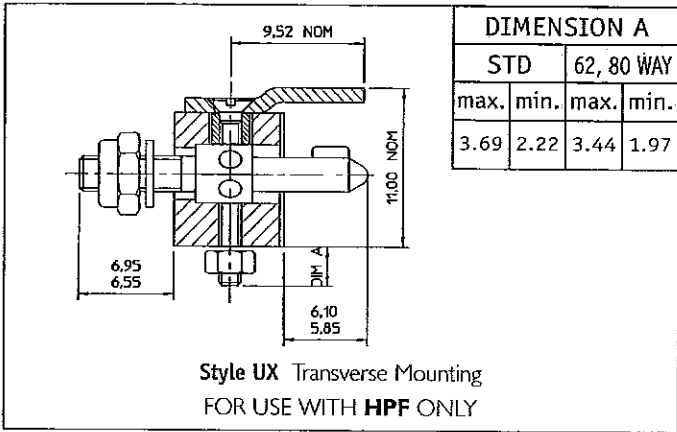
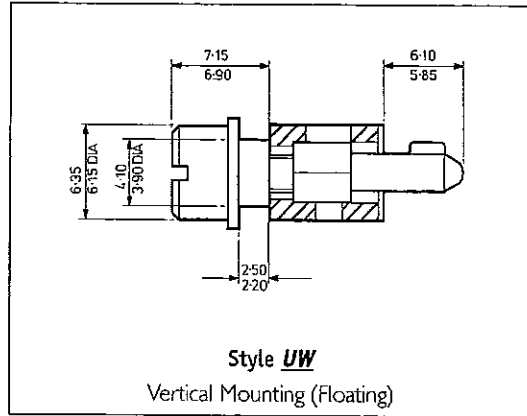
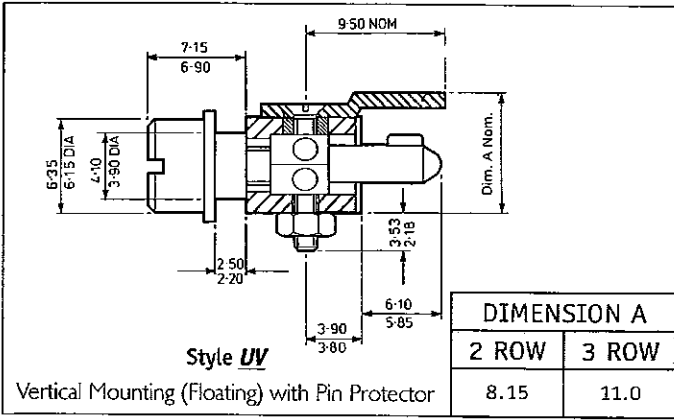
Style UR
Transverse Mounting



Style UT
Transverse Mounting

Hypertac Limited, Waterloo Road, London NW2 7UH Telephone 0181 450 8033 Facsimile 0181 208 3455

GUIDES (MALE)-POLARISED



TWO PART PRINTED CIRCUIT BOARD CONNECTORS
HPD-HPP-HPF-HPM

Hypertac Limited, Waterloo Road, London NW2 7UH Telephone 0181 450 8033 Facsimile 0181 208 3455

TWO PART PRINTED CIRCUIT BOARD CONNECTORS HPD-HPP-HPF-HPM

GUIDES (MALE)-POLARISED

DIMENSION A	
max	min
3.64	2.69
5.64	4.69

Style 1P/10
Centre Locking Transverse Mounting
IDC Termination
FOR USE WITH **HPD/HPP** ONLY

Style 1Y
Centre Locking IDC Termination
FOR USE WITH **HPD/HPP** ONLY

Style 20
Vertical Mounting with Centre Locking

M2.5 2.80 dia. Clearance Hole

DIMENSION A			
2 ROW		3 ROW	
max	min	max	min
9.58	8.88	12.75	12.05

Style 91
Vertical Mounting with Pin Protector
(Pin Protector bonded to Insulator remainder of hardware unassembled)

For use with **HPD/HPF** only

DIMENSION A			
STUD		M2.5 2.80 DIA	
max	min	max	min
6.69	5.22	6.44	4.97

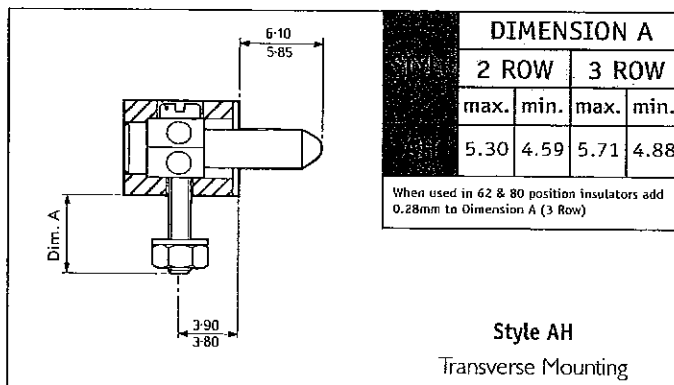
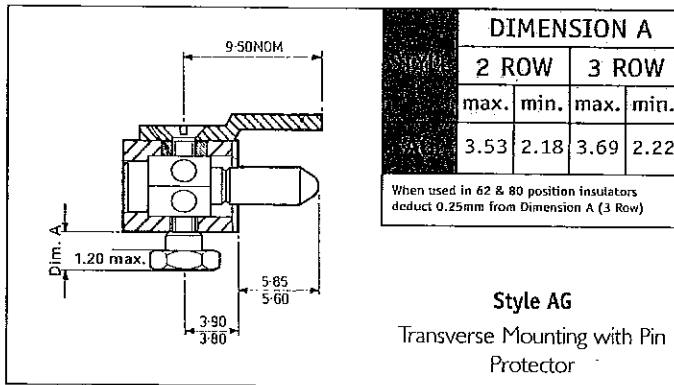
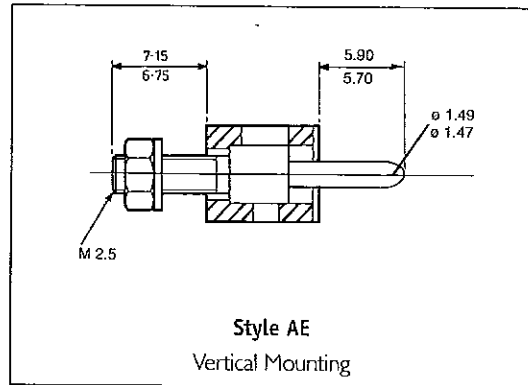
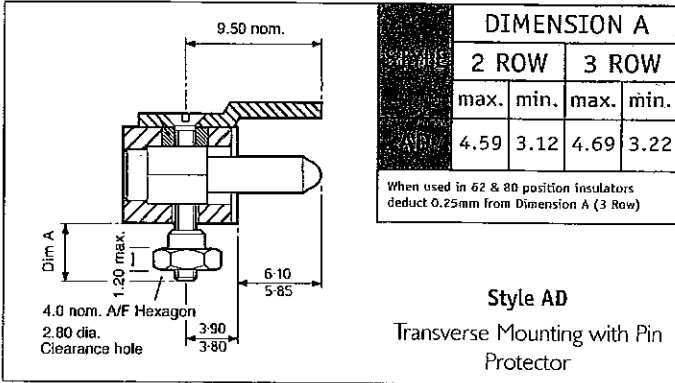
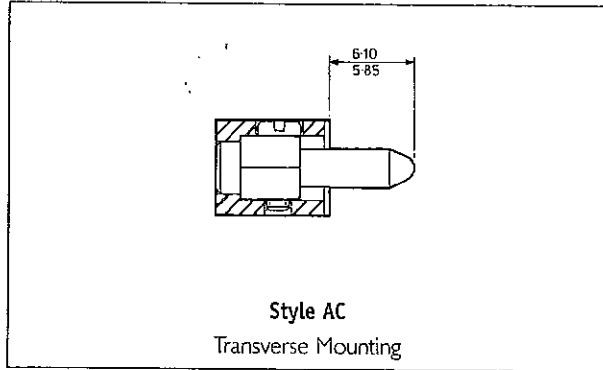
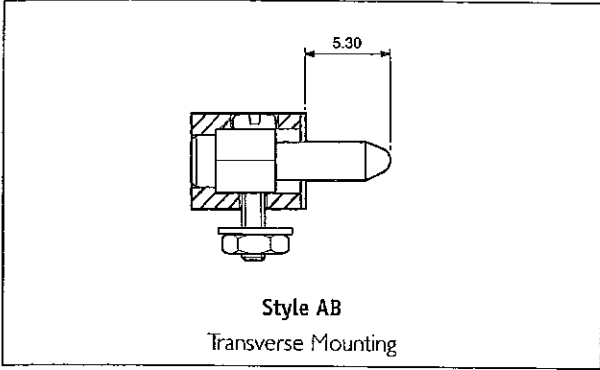
Style 92
Transverse Mounting
FOR USE WITH **HPF** ONLY

DIMENSION A	
max	min
6.95	6.55
12.80	12.40

Style 93/95
Vertical Mounting
(Unassembled)

Hypertac Limited, Waterloo Road, London NW2 7UH Telephone 0181 450 8033 Facsimile 0181 208 3455

GUIDES (MALE)-UNPOLARISED



TWO PART PRINTED CIRCUIT BOARD CONNECTORS
HPD-HPP-HPF-HPM

Hypertac Limited, Waterloo Road, London NW2 7UH Telephone 01 81 450 8033 Facsimile 01 81 208 3455

TWO PART PRINTED CIRCUIT BOARD CONNECTORS HPD-HPP-HPF-HPM

GUIDES (MALE)-UNPOLARISED

DIMENSION A			
2 ROW		3 ROW	
max.	min.	max.	min.
3.30	2.59	3.65	2.94
4.30	3.59	4.71	3.88
5.30	4.59	5.71	4.88
7.36	6.53	-	-
9.36	8.53	9.71	8.88

Style AK/AL/AQ/AP/AS
Transverse Mounting

Style AQ Transverse Mounting
FOR USE WITH **HPF** ONLY

Style AV
Transverse Mounting with Pin Protector

DIMENSION A	
max.	min.
6.70	6.40
4.30	4.10

Style A8/AW
Transverse Mounting

Style AZ
Transverse Mounting with Pin Protector

DIMENSION A			
2 ROW		3 ROW	
max.	min.	max.	min.
7.30	6.90	7.50	7.10

Style A4
Transverse Mounting

Style A5 Pcb Edge Mounting
FOR USE WITH **HPD/HPP** ONLY

Style A6
Transverse Mounting

GUIDES (MALE)-UNPOLARISED

DIMENSION A			
2 ROW		3 ROW	
max.	min.	max.	min.
3.30	2.59	3.65	2.94

Style HQ
Transverse Mounting

Style QG
Vertical Mounting

Style QH
Vertical Mounting

Style QN
IDC Termination

DIMENSION A	
max.	min.
5.50	5.00
7.15	6.75

Style QO/9K
Vertical Mounting

Style Q6
Vertical Mounting (Floating)

DIMENSION A			
2 ROW		3 ROW	
max.	min.	max.	min.
7.69	6.64	8.34	7.19

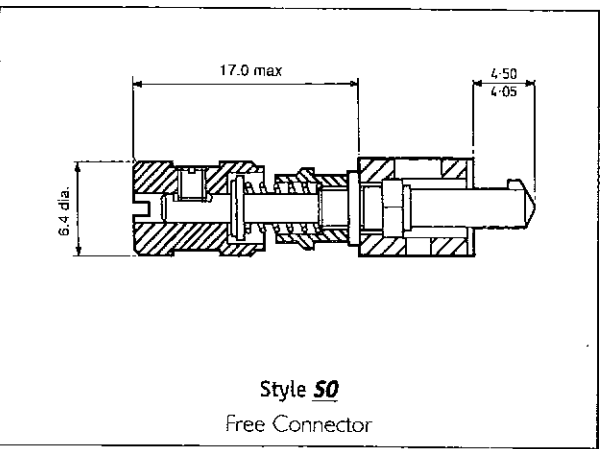
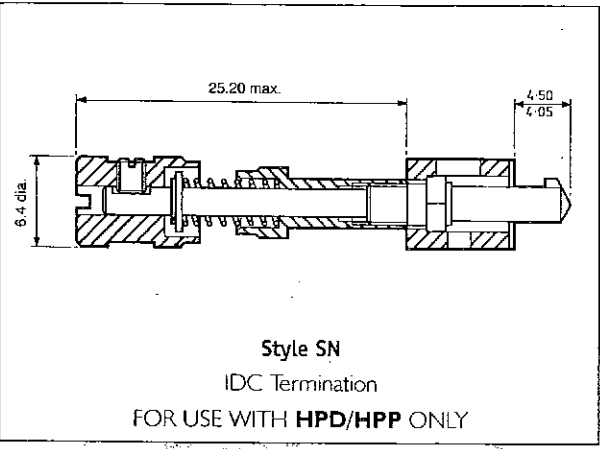
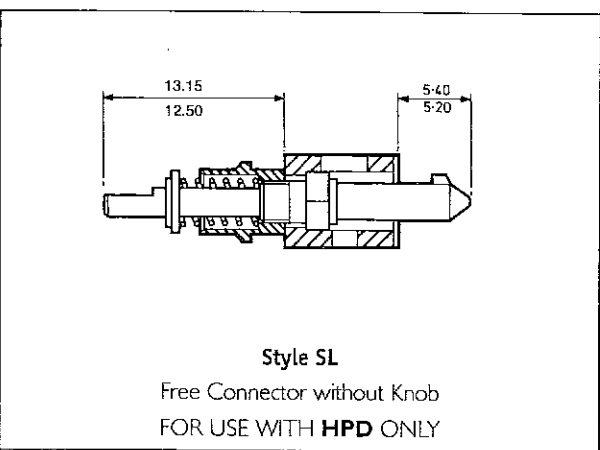
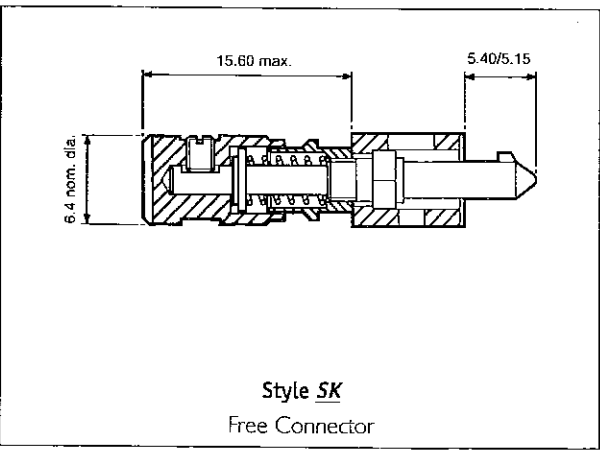
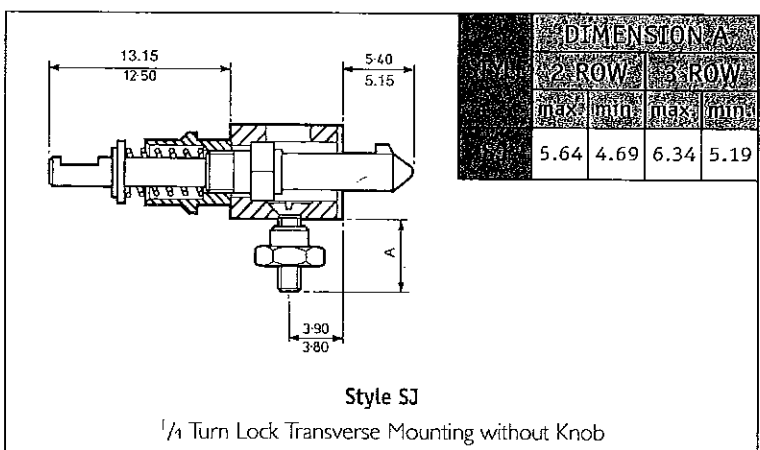
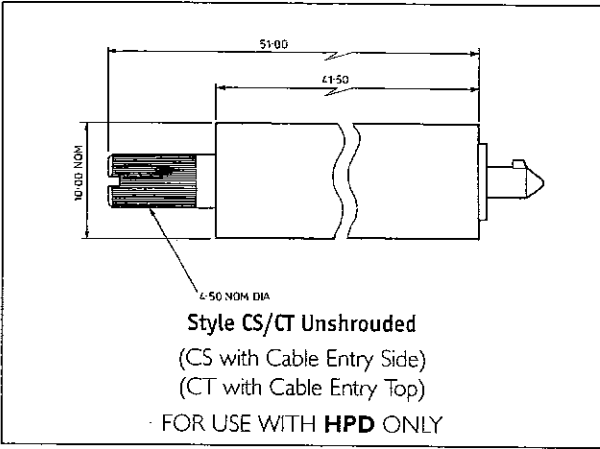
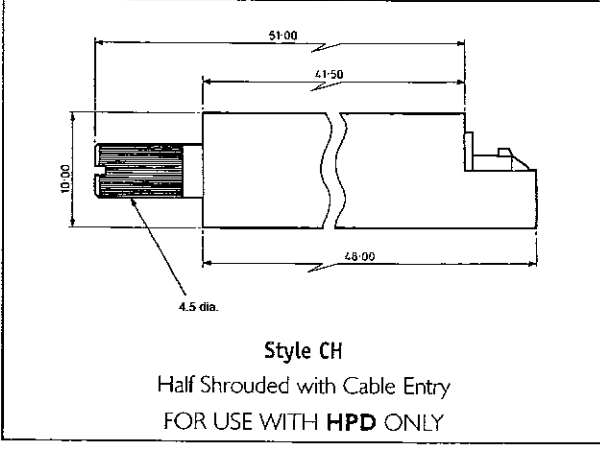
Style QT
Transverse Mounting

TWO PART PRINTED CIRCUIT BOARD CONNECTORS
HPD-HPP-HPF-HPM

Hypertac Limited, Waterloo Road, London NW2 7UH Telephone 0181 450 8033 Facsimile 0181 208 3455

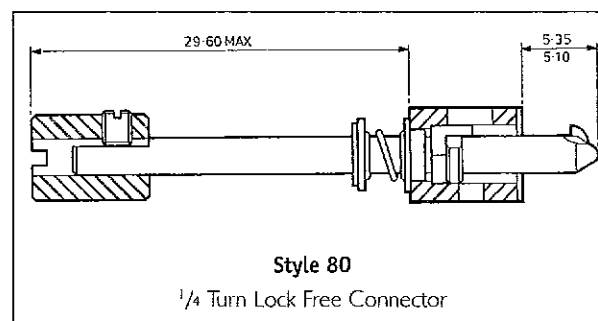
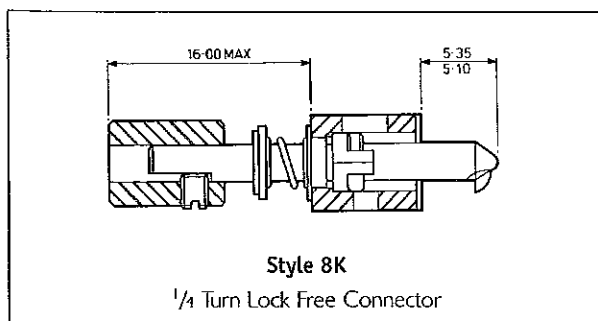
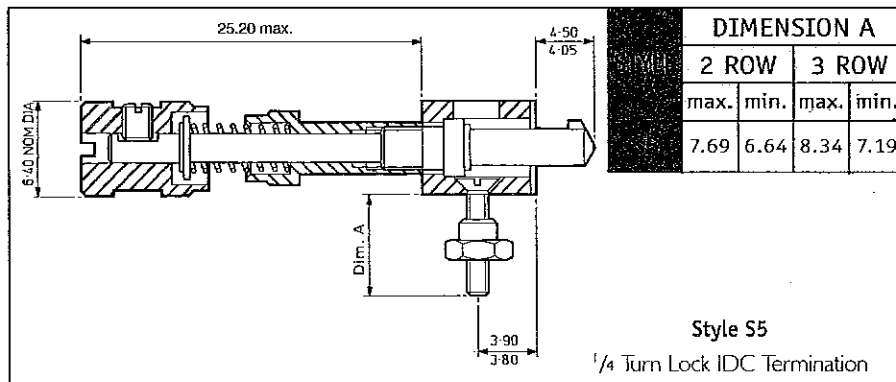
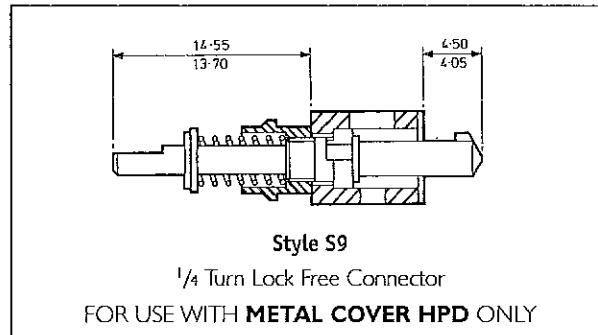
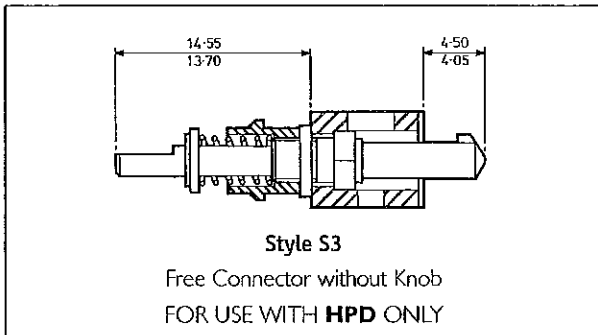
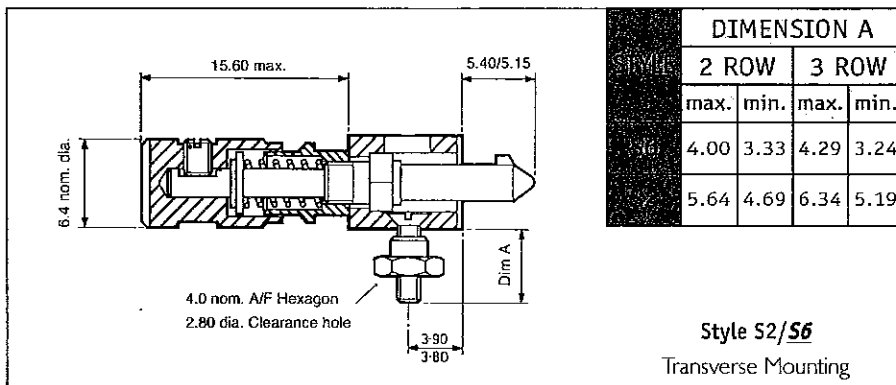
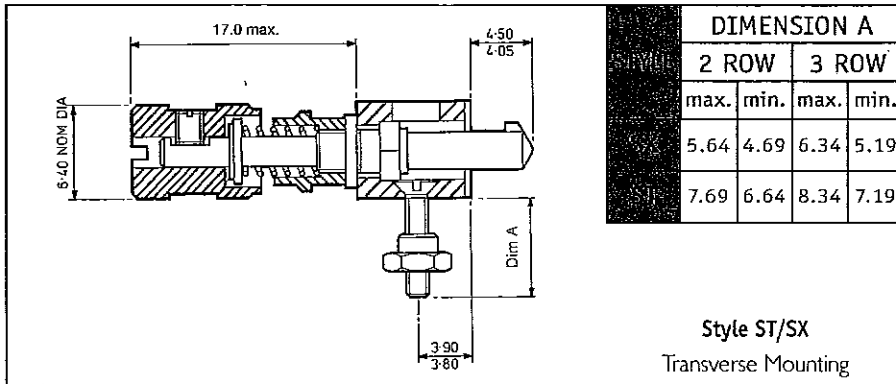
TWO PART PRINTED CIRCUIT BOARD CONNECTORS HPD-HPP-HPF-HPM

GUIDES (MALE) QUARTER TURN LOCK-POLARISED



Hypertac Limited, Waterloo Road, London NW2 7UH Telephone 0181 450 8033 Facsimile 0181 208 3455

GUIDES (MALE) QUARTER TURN LOCK-POLARISED

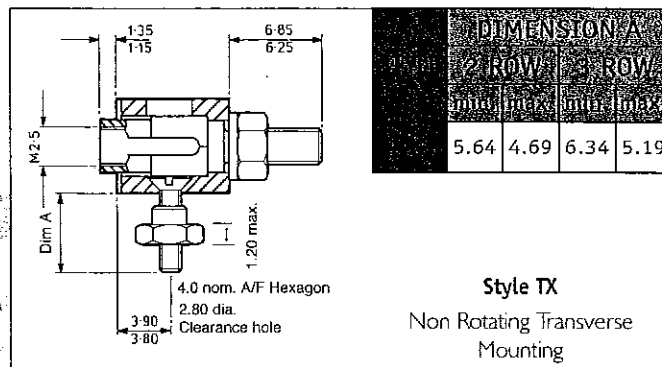
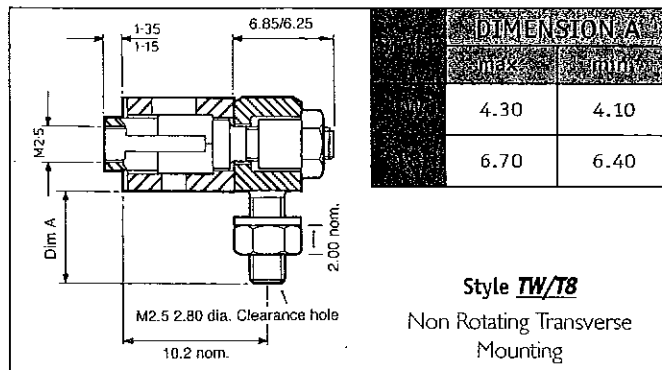
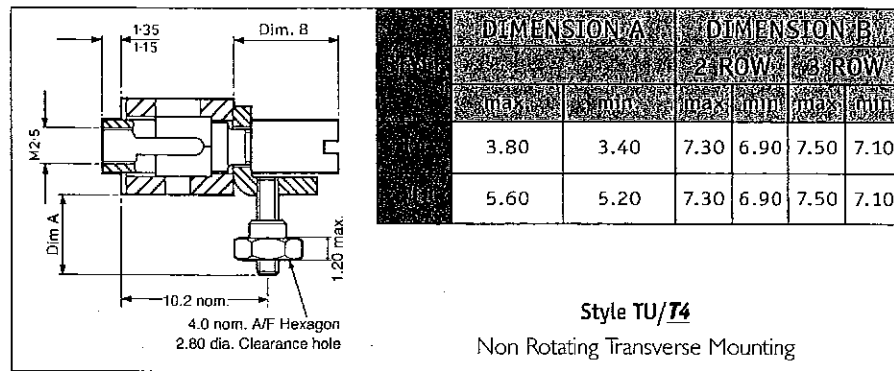
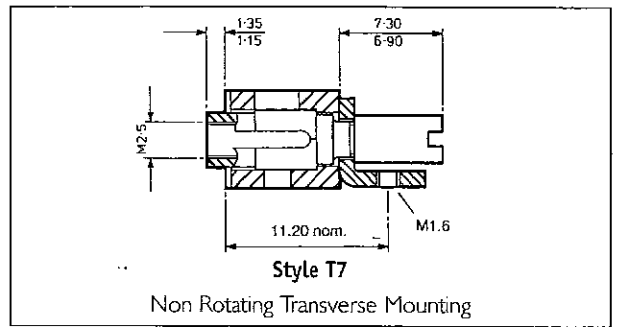
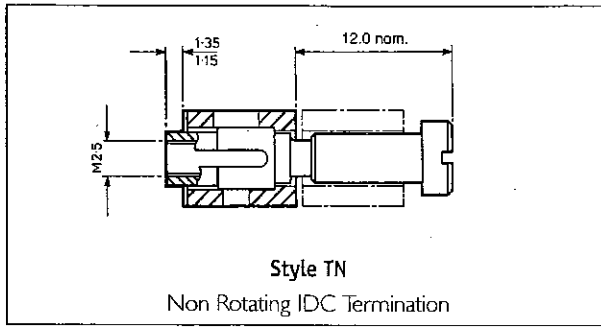
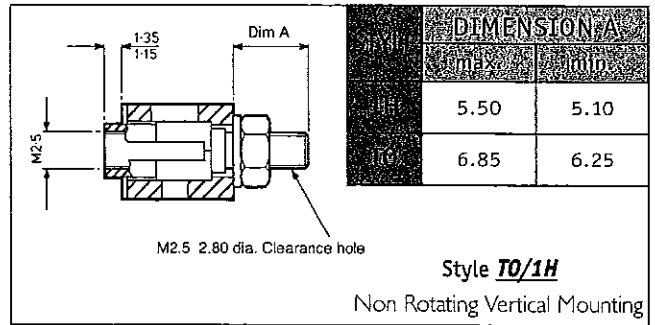
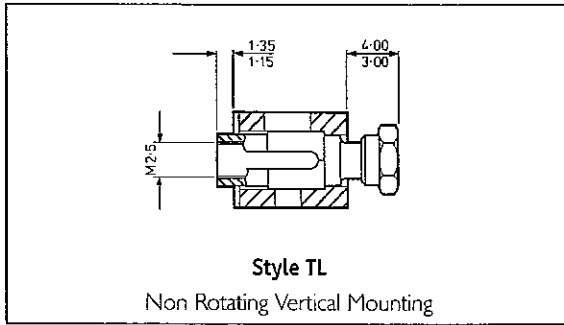


Hybertac Limited, Waterloo Road, London NW2 7UH Telephone 0181 450 8033 Facsimile 0181 208 3455

TWO PART PRINTED CIRCUIT BOARD CONNECTORS
HPD-HPF-HPF-HPM

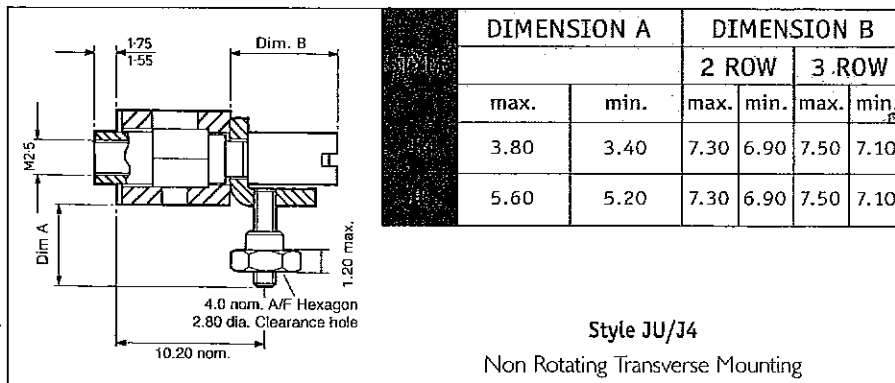
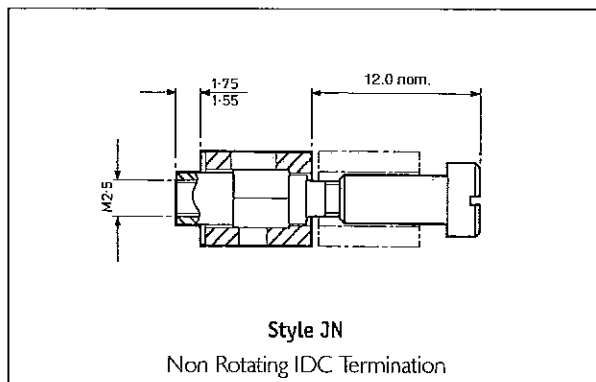
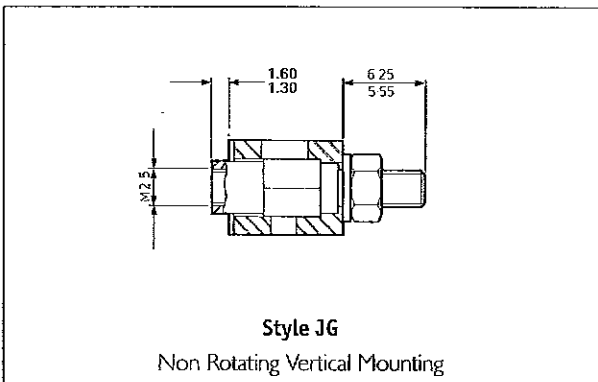
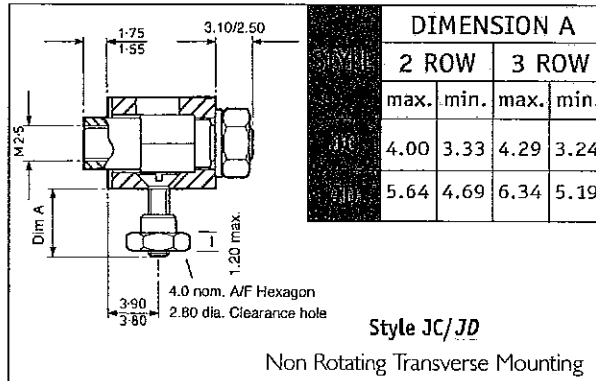
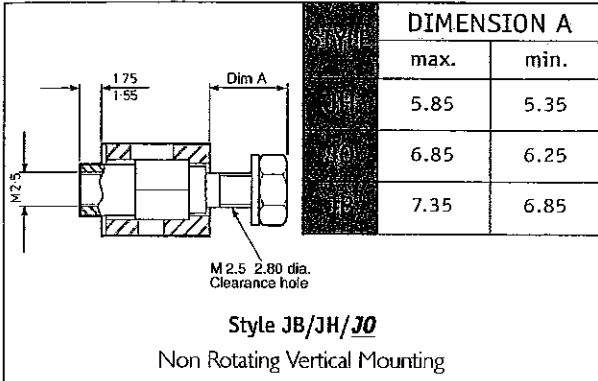
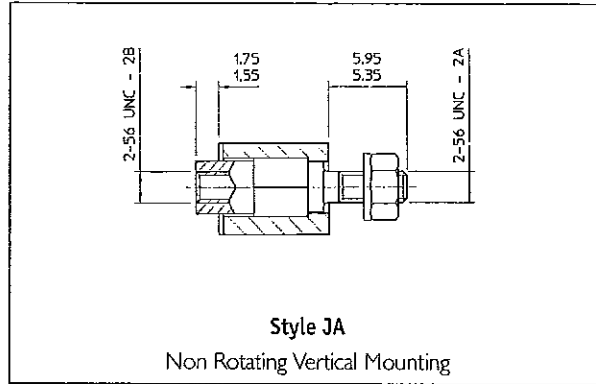
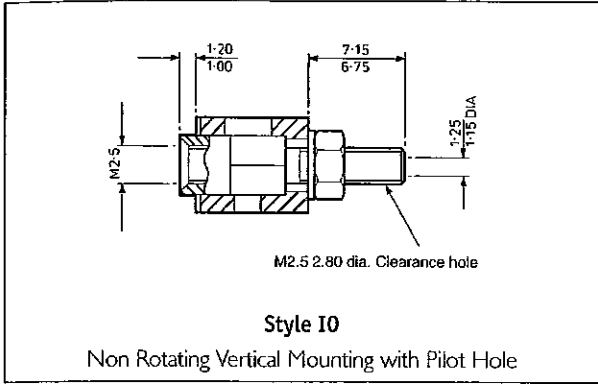
TWO PART PRINTED CIRCUIT BOARD CONNECTORS HPD-HPP-HPF-HPM

JACK GUIDES (FEMALE)-POLARISED



Hypertac Limited, Waterloo Road, London NW2 7UH Telephone 0181 450 8033 Facsimile 0181 208 3455

JACK GUIDES (FEMALE) - UNPOLARISED



TWO PART PRINTED CIRCUIT BOARD CONNECTORS
HPD-HPP-HPF-HPM

Hyperfac Limited, Waterloo Road, London NW2 7UH Telephone 0181 450 8033 Facsimile 0181 208 3455

TWO PART PRINTED CIRCUIT BOARD CONNECTORS HPD-HPP-HPF-HPM

JACK GUIDES (FEMALE) - UNPOLARISED

DIMENSION A	
max	min
4.30	4.10
6.70	6.40

Style JW/J8
Non Rotating Transverse Mounting

Style J3 Supplied unassembled
Non Rotating Vertical Mounting

DIMENSION A	
max	min
3.80	3.40
5.60	5.20

Style J7/J9
Non Rotating Transverse Mounting

Style NB Non Rotating Transverse Mounting
FOR USE WITH **HPF** ONLY

Style NT
Non Rotating Vertical Mounting

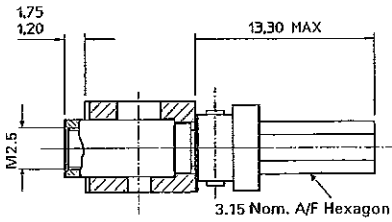
Style NV Non Rotating Transverse Mounting
FOR USE WITH **HPD** ONLY

DIMENSION A			
2 ROW		3 ROW	
max	min	max	min
3.60	2.65	-	-
5.64	4.69	6.34	5.19
7.69	6.64	8.34	7.19

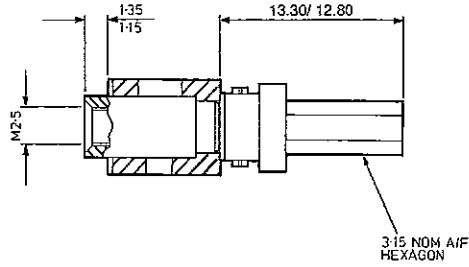
Style VB/VT/VX
Rotating Transverse Mounting

Hypertac Limited, Waterloo Road, London NW2 7UH Telephone 0181 450 8033 Facsimile 0181 208 3455

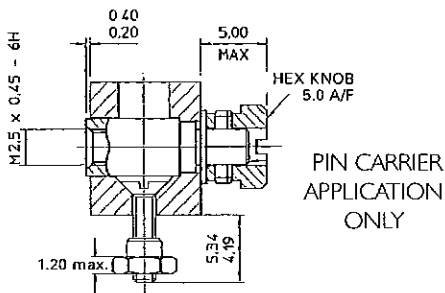
JACK GUIDES (FEMALE)-UNPOLARISED



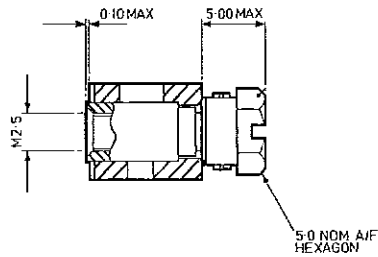
Style VC Assembled/VN Unassembled
Rotating Free Connector



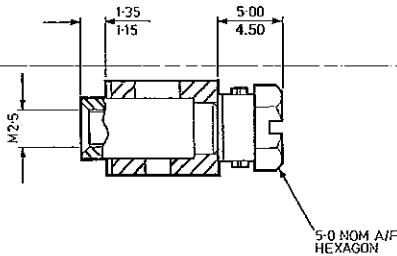
Style VE Assembled/VH Unassembled
Rotating Free Connector



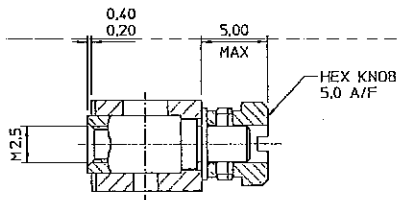
Style VJ Supplied Unassembled
Rotating Transverse Mounting FOR USE WITH HPF ONLY



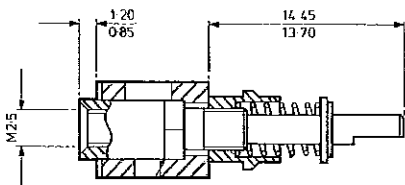
Style VM Rotating Free Connector
PIN CARRIER APPLICATION ONLY



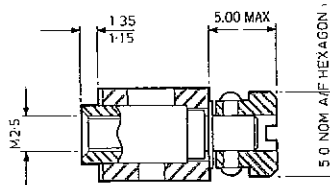
Style VO Assembled/VU Unassembled
Rotating Free Connector



Style VP Rotating Free Connector
PIN CARRIER APPLICATION ONLY



Style VS
Rotating Free Connector without Knob
FOR USE WITH HPD ONLY



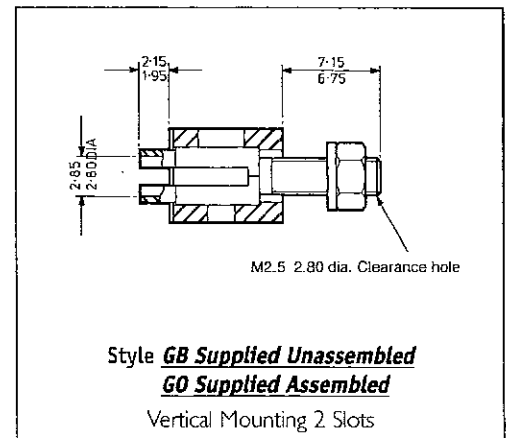
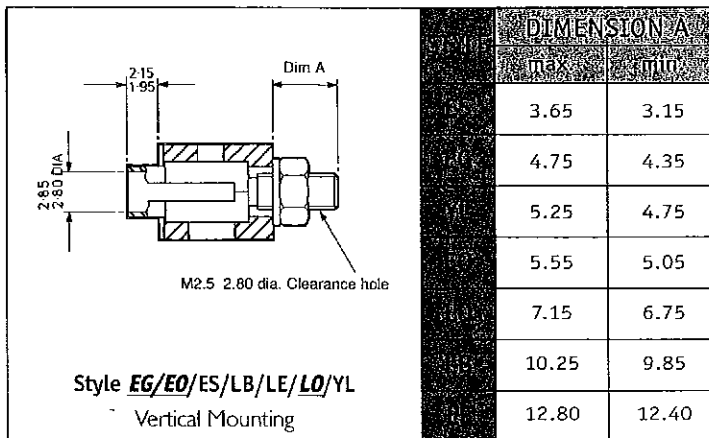
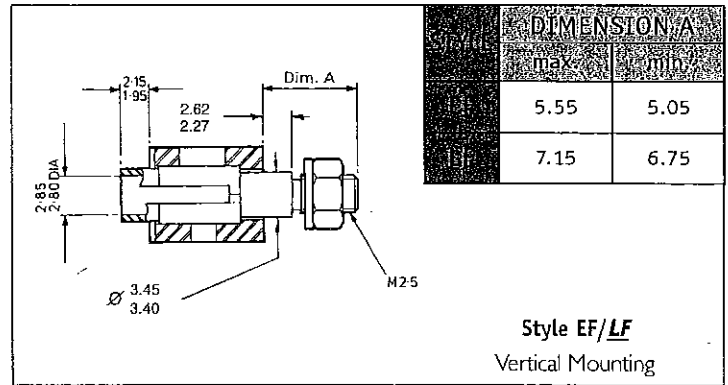
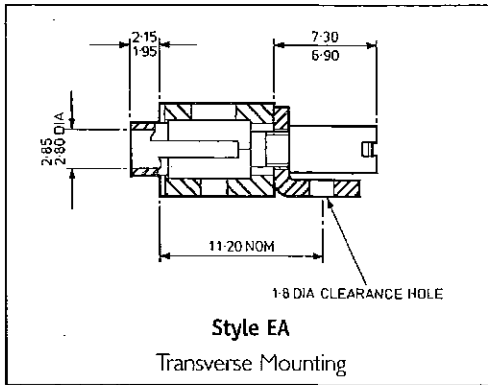
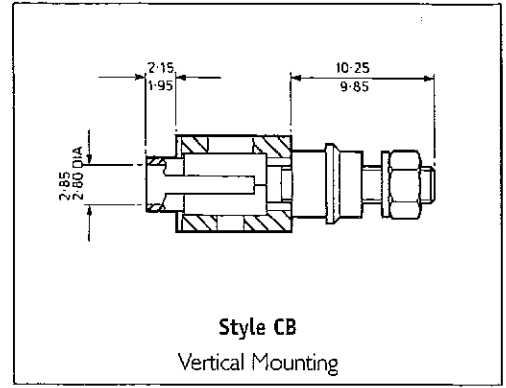
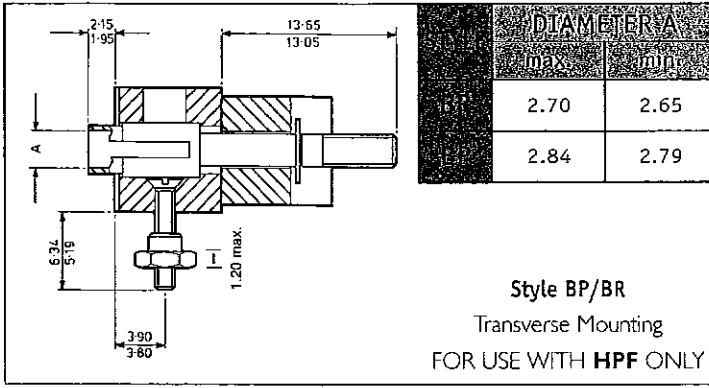
Style 1F
Rotating Free Connector

Hypertac Limited, Waterloo Road, London NW2 7UH Telephone 0181 450 8033 Facsimile 0181 208 3455

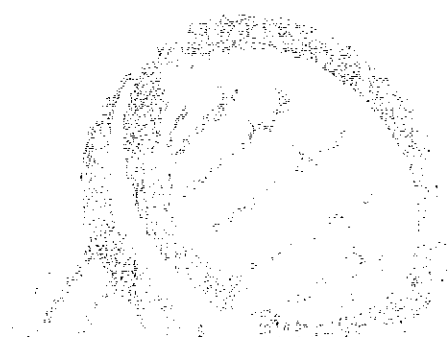
TWO PART PRINTED CIRCUIT BOARD CONNECTORS
HPD-HPP-HPF-HPM

TWO PART PRINTED CIRCUIT BOARD CONNECTORS HPD-HPP-HPF-HPM

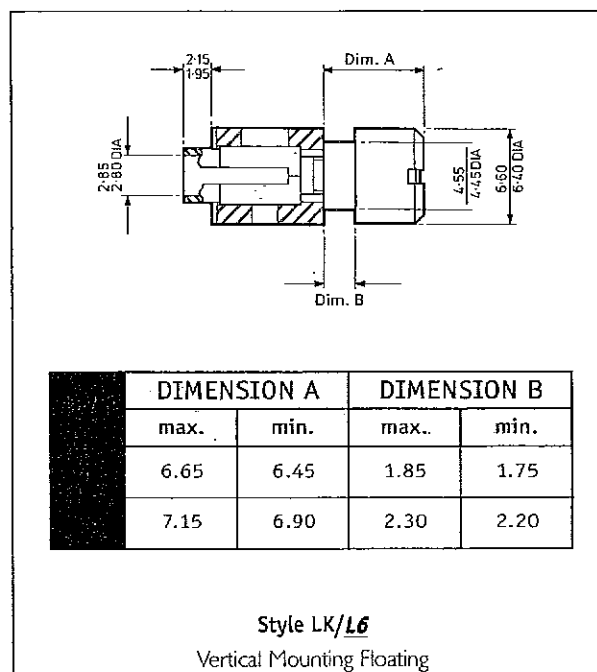
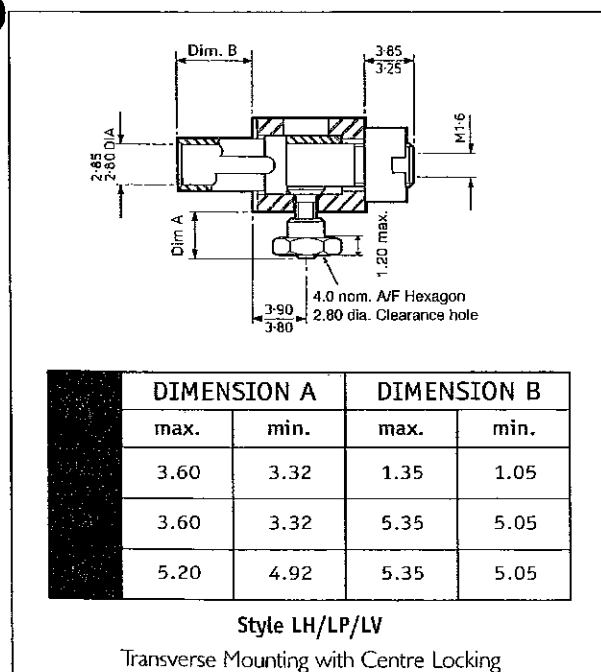
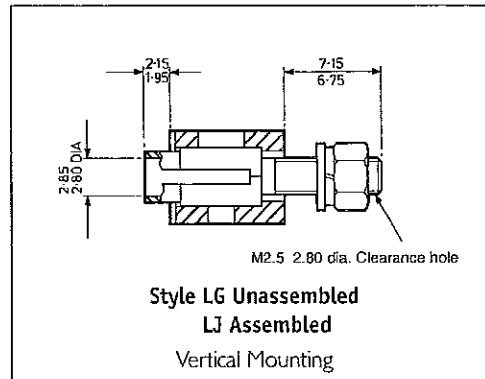
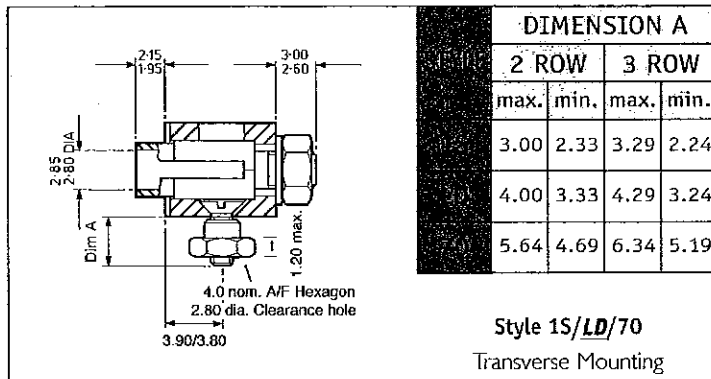
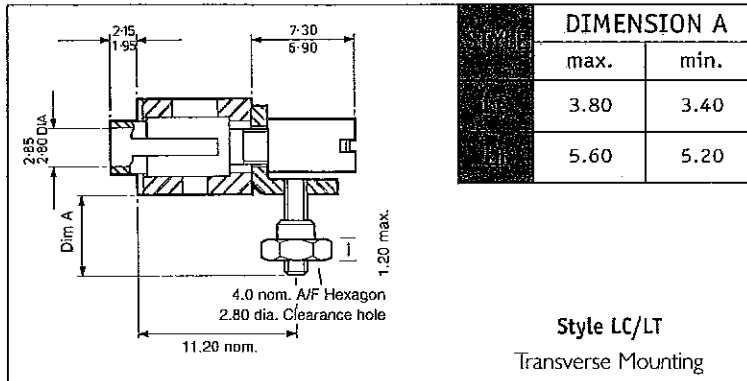
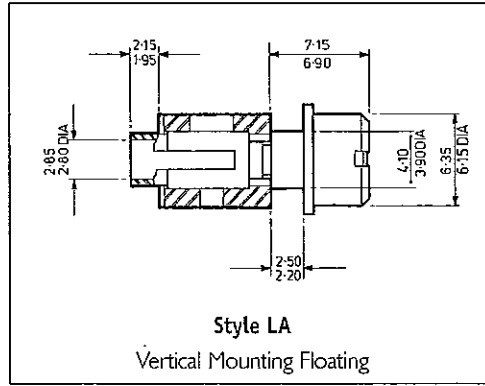
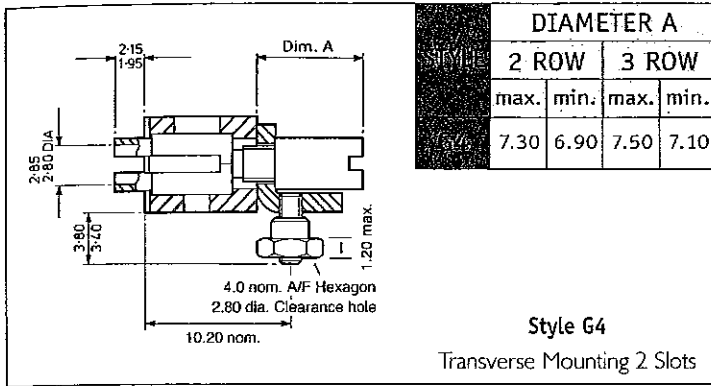
GUIDES (FEMALE)-POLARISED



Hypertac Limited, Waterloo Road, London NW2 7UH Telephone 0181 450 8033 Facsimile 0181 208 3455



GUIDES (FEMALE)-POLARISED

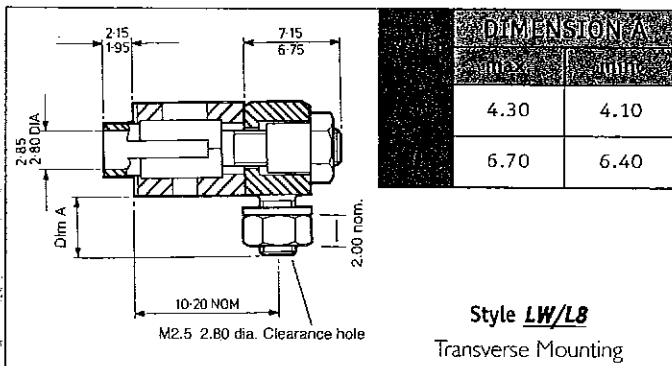
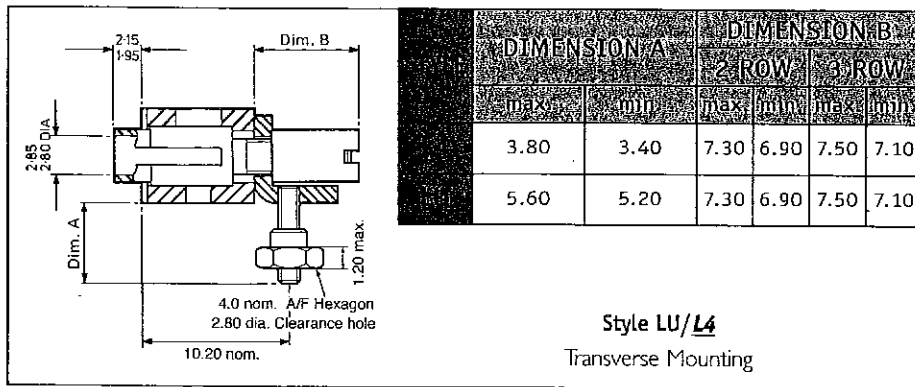
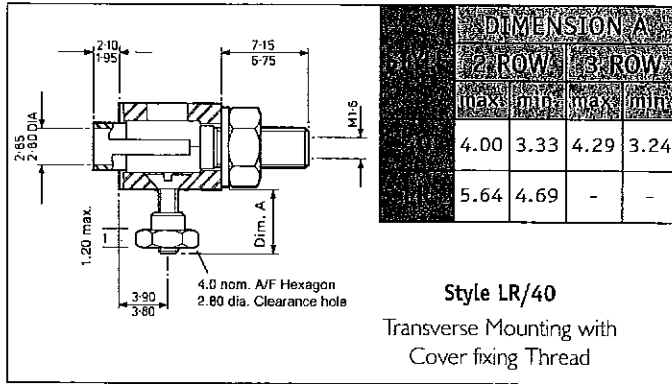
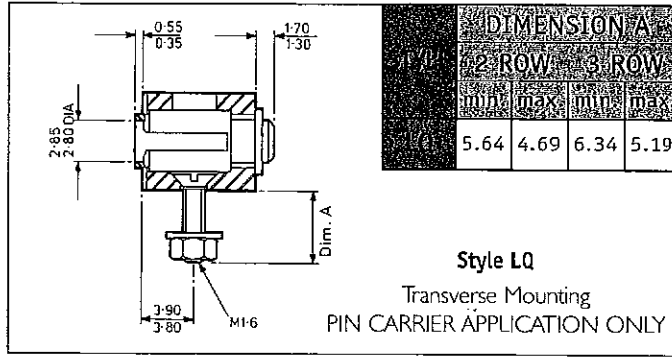
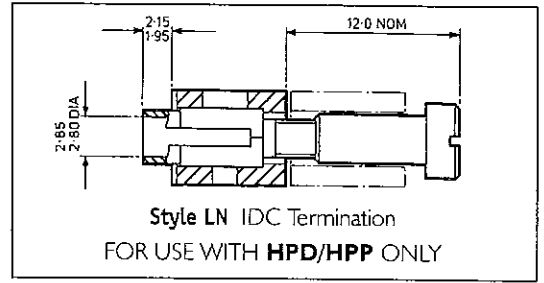
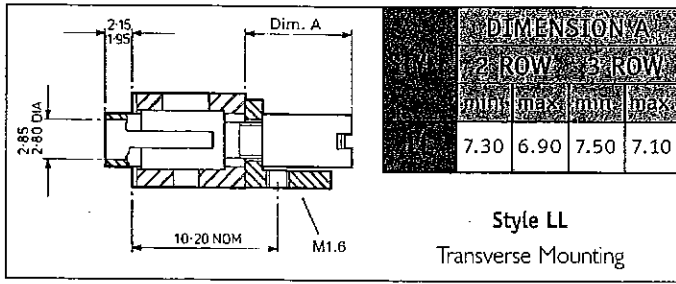


Hypertac Limited, Waterloo Road, London NW2 7UH Telephone 01 81 450 8033 Facsimile 01 81 208 3455

TWO PART PRINTED CIRCUIT BOARD CONNECTORS
HPD-HPP-HPF-HPM

TWO PART PRINTED CIRCUIT BOARD CONNECTORS HPD-HPP-HPF-HPM

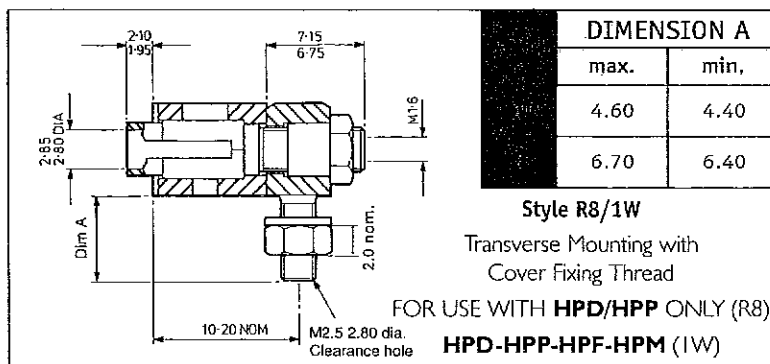
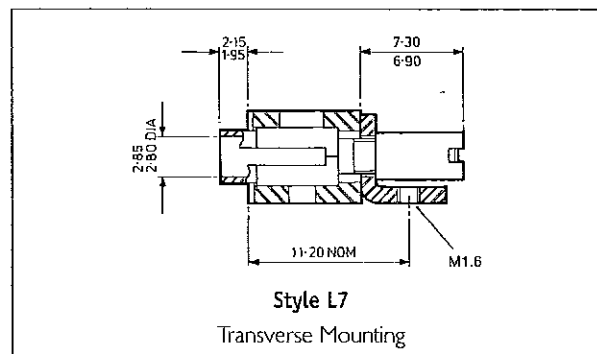
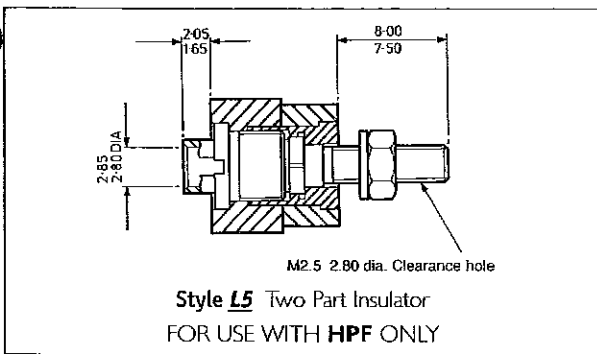
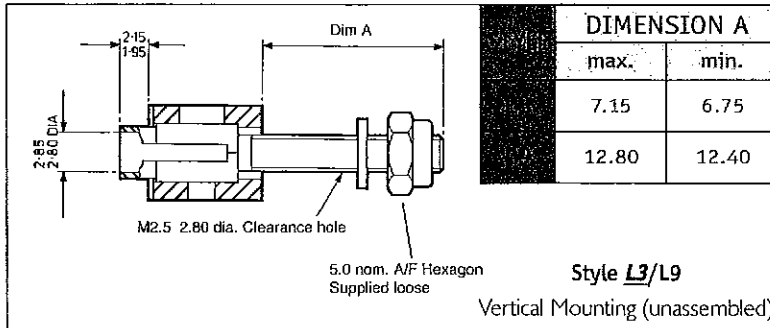
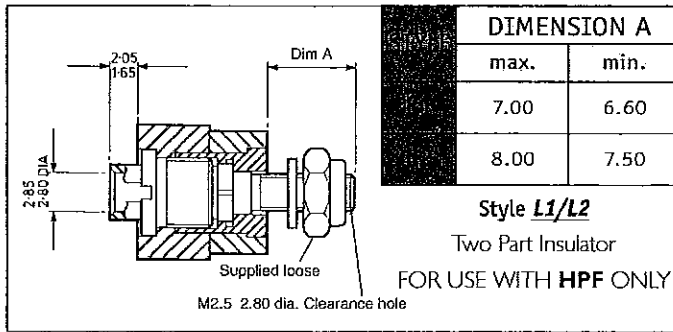
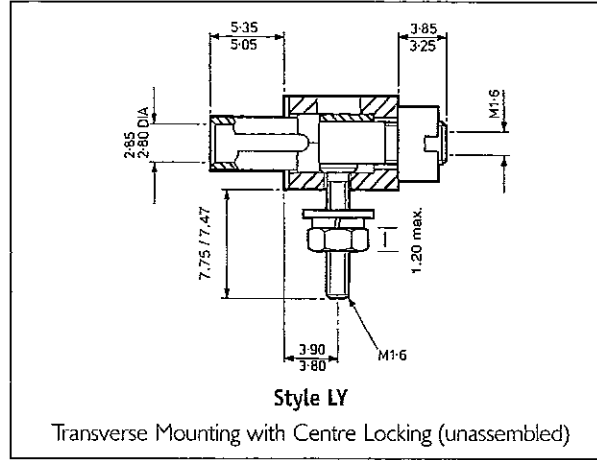
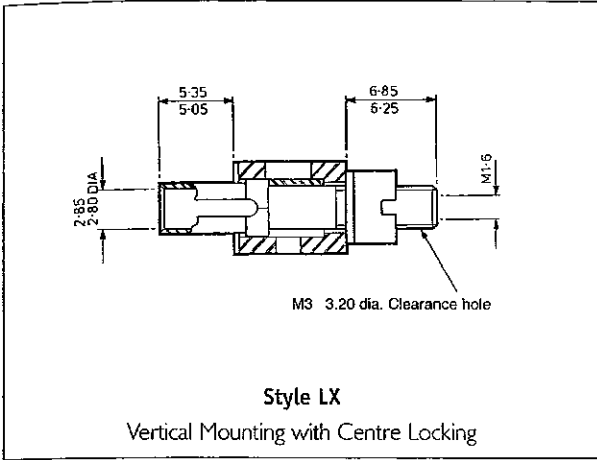
GUIDES (FEMALE)-POLARISED



Hypertac Limited, Waterloo Road, London NW2 7UH Telephone 0181 450 8033 Facsimile 0181 208 3455

GUIDES (FEMALE)-POLARISED

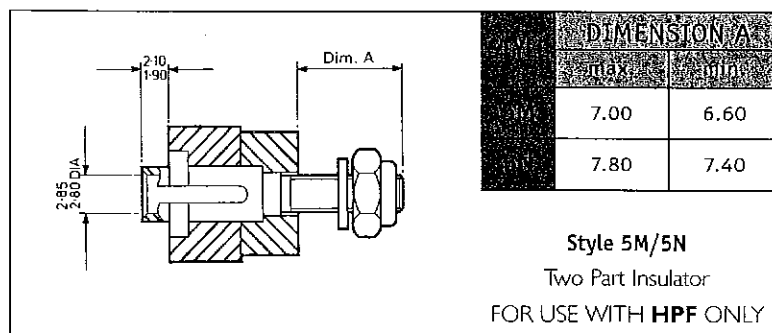
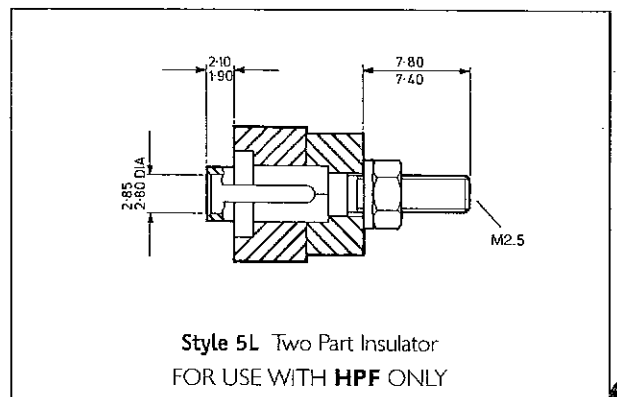
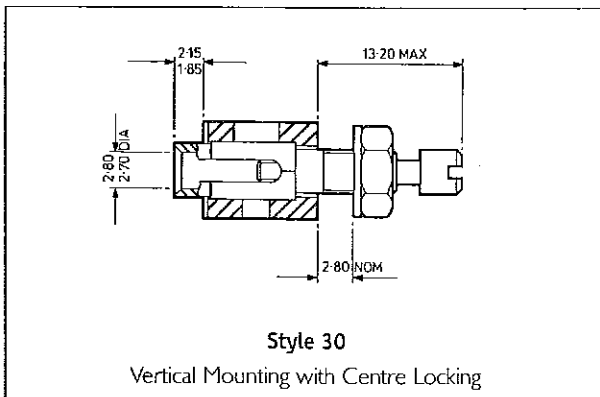
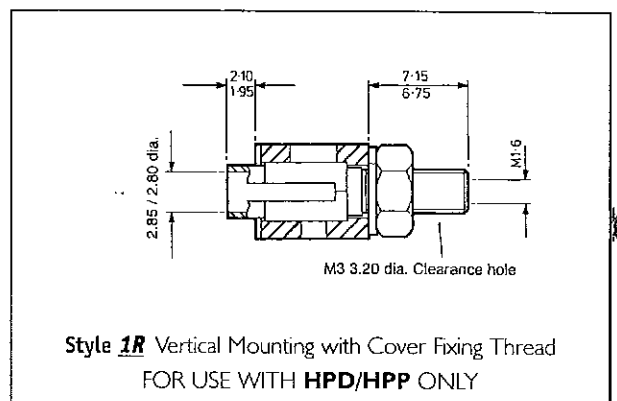
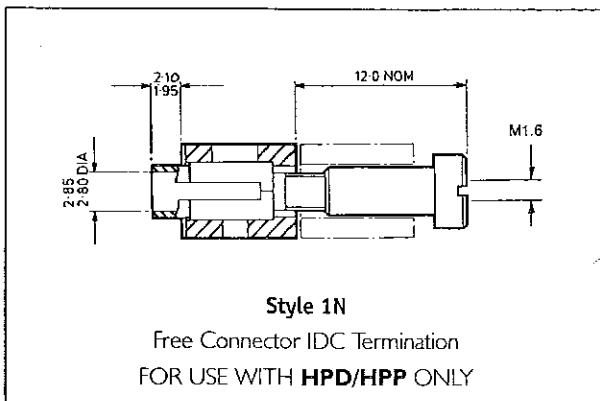
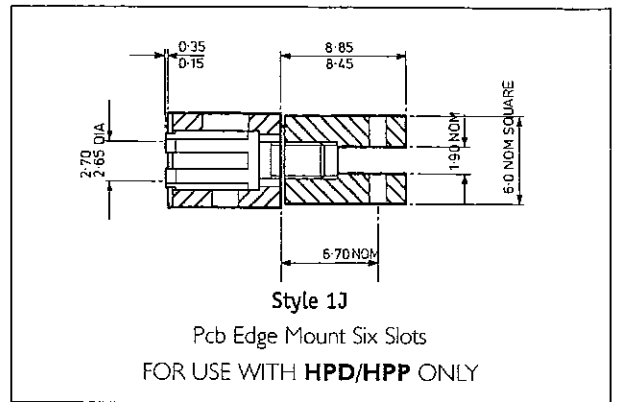
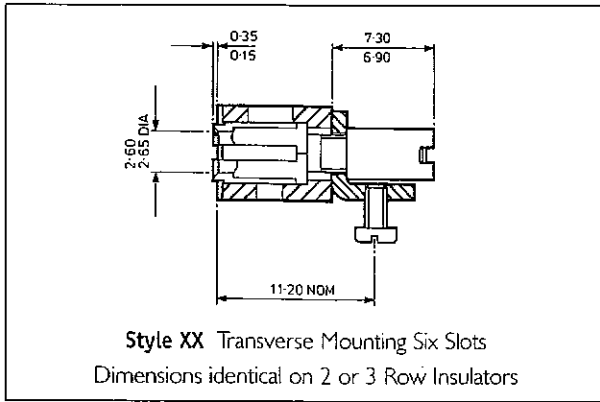
TWO PART PRINTED CIRCUIT BOARD CONNECTORS HPD-HPP-HPF-HPM



Hypertac Limited, Waterloo Road, London NW2 7UH Telephone 0181 450 8033 Facsimile 0181 208 3455

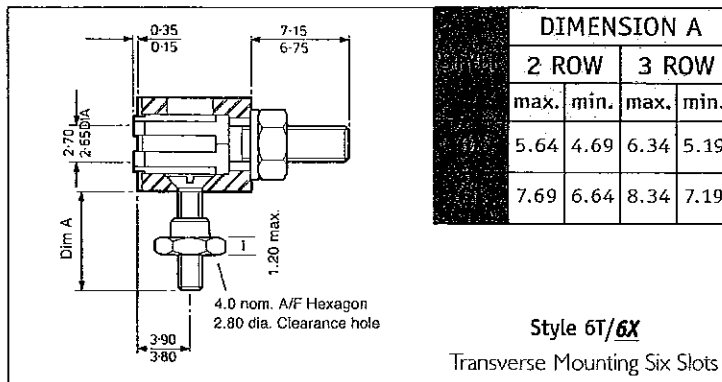
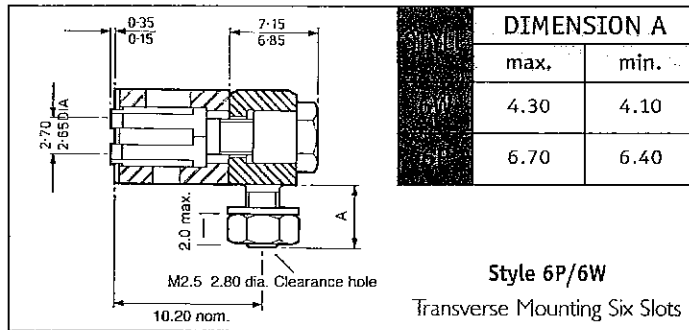
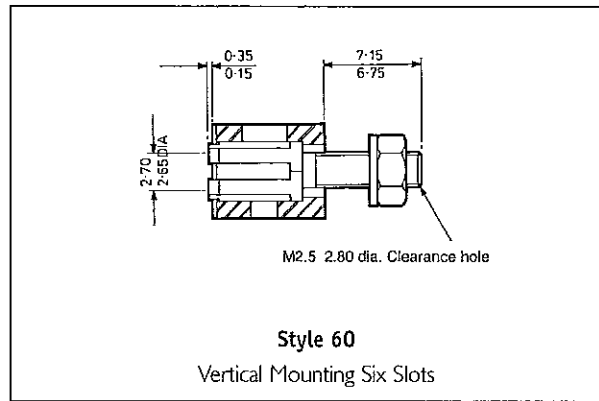
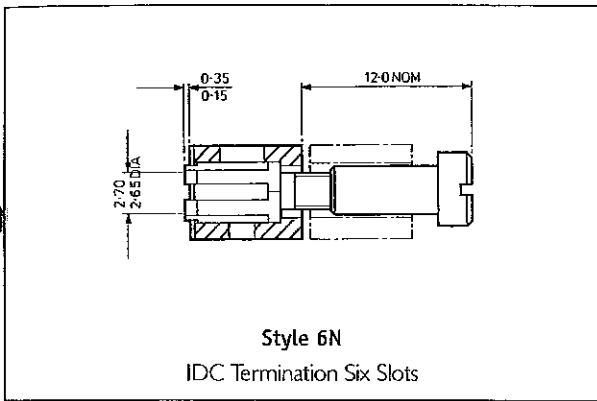
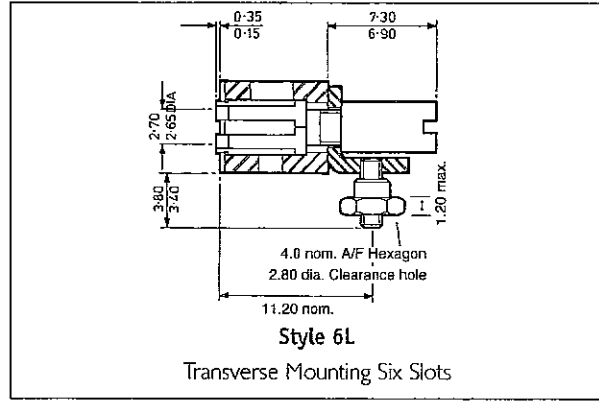
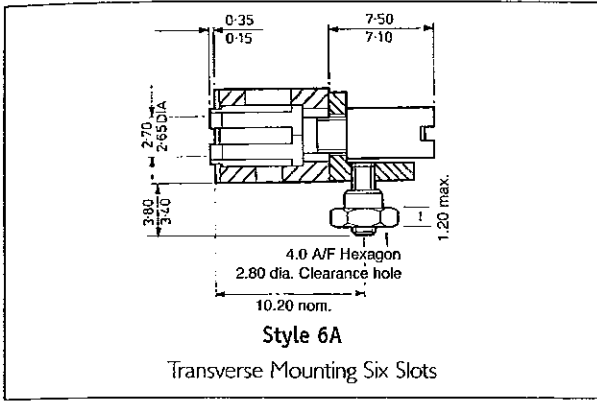
TWO PART PRINTED CIRCUIT BOARD CONNECTORS HPD-HPP-HPF-HPM

GUIDES (FEMALE)-POLARISED



Hypertac Limited, Waterloo Road, London NW2 7UH Telephone 0181 450 8033 Facsimile 0181 208 3455

GUIDES (FEMALE)-POLARISED



TWO PART PRINTED CIRCUIT BOARD CONNECTORS HPD-HPP-HPF-HPM

Hybertac Limited, Waterloo Road, London NW2 7UH Telephone 01 81 450 8033 Facsimile 01 81 208 3455

GUIDES (FEMALE)-UNPOLARISED

TWO PART PRINTED CIRCUIT BOARD CONNECTORS HPD-HPP-HPF-HPM

DIMENSION A	
max	min
5.55	5.05
7.15	6.75
10.25	9.85

Style BB/BO/5A
Vertical Mounting

DIMENSION A			
2 ROW		3 ROW	
max	min	max	min
3.00	2.33	3.29	2.24
4.00	3.33	4.29	3.24
5.64	4.69	6.34	5.19

Style BD/5B/5D
Transverse Mounting

Style BE
Vertical Mounting

Style BF
Vertical Mounting

Style BG Vertical Mounting FOR USE ON **HPD/HPF** ONLY
PIN CARRIER APPLICATION ONLY

Style BH Vertical Mounting FOR USE ON **HPD/HPF** ONLY
PIN CARRIER APPLICATION ONLY

Style BJ Vertical Mounting FOR USE ON **HPD/HPF** ONLY
PIN CARRIER APPLICATION ONLY

Style BK Vertical Mounting FOR USE ON **HPD/HPF** ONLY
PIN CARRIER APPLICATION ONLY

Hypertac Limited, Waterloo Road, London NW2 7UH Telephone 0181 450 8033 Facsimile 0181 208 3455

GUIDES (FEMALE)-UNPOLARISED

DIMENSION A			
2 ROW		3 ROW	
max.	min.	max.	min.
5.64	4.69	6.34	5.19

Style BL Transverse Mounting
PIN CARRIER APPLICATION ONLY

Style BM Vertical Mounting
PIN CARRIER APPLICATION ONLY

Style BN
IDC Termination

Style BS Vertical Mounting
PIN CARRIER APPLICATION ONLY

DIMENSION A		DIMENSION B			
		2 ROW		3 ROW	
max.	min.	max.	min.	max.	min.
3.80	3.40	7.30	6.90	7.50	7.10
5.60	5.20	7.30	6.90	7.50	7.10

Style BU/B4
Transverse Mounting

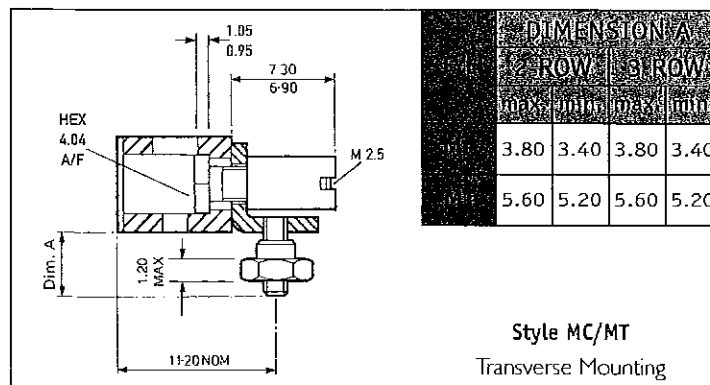
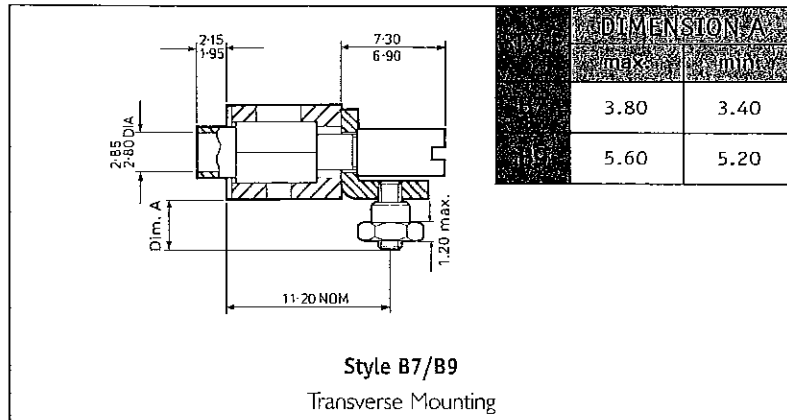
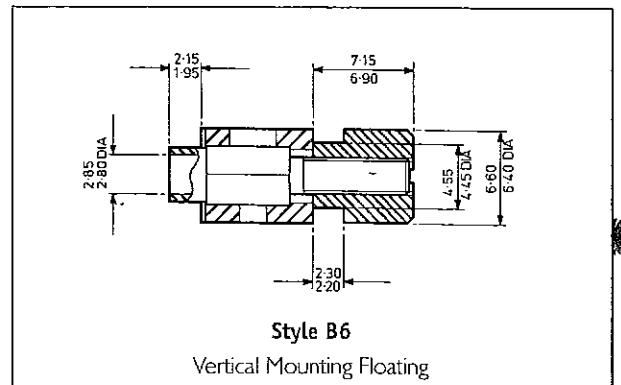
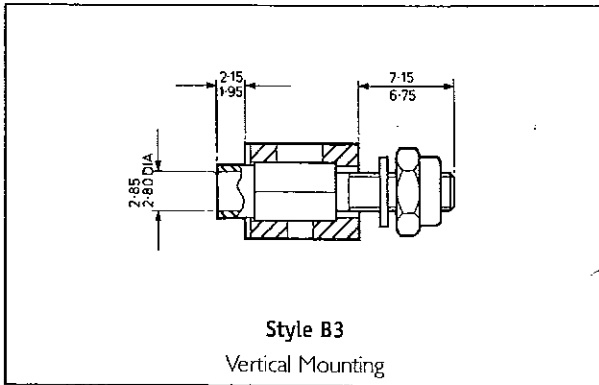
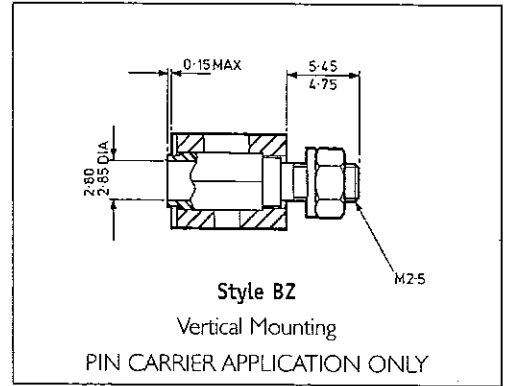
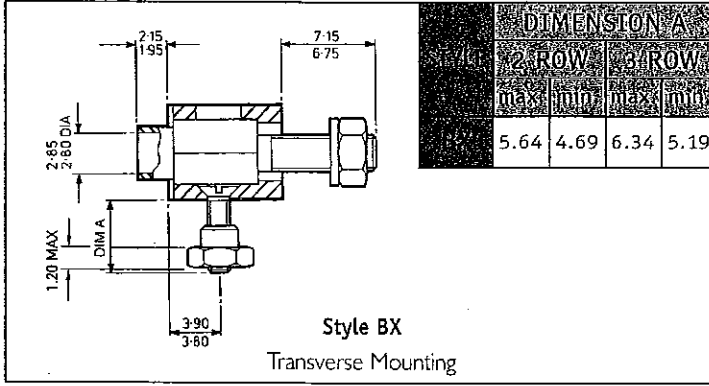
DIMENSION A	
max.	min.
4.30	4.10
6.70	6.40

Style BW/B8
Transverse Mounting

TWO PART PRINTED CIRCUIT BOARD CONNECTORS
HPD-HPP-HPF-HPM

Hyperfac Limited, Watlington Road, London NW2 7UH Telephone 01 81 450 8033 Facsimile 01 81 208 3455

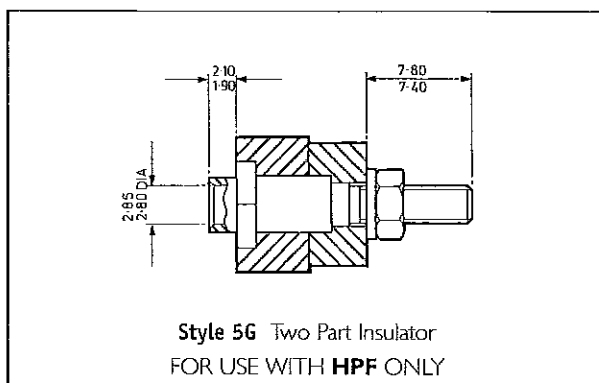
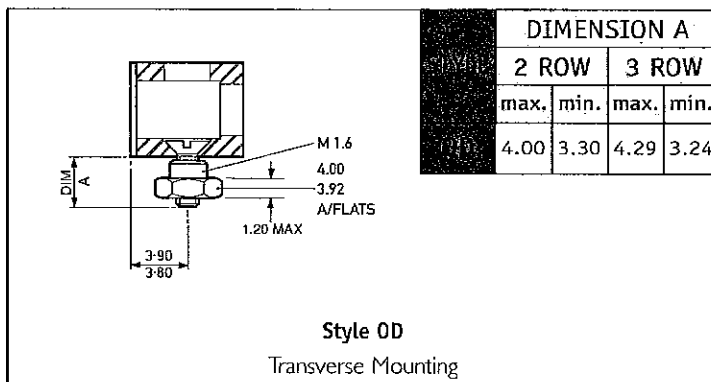
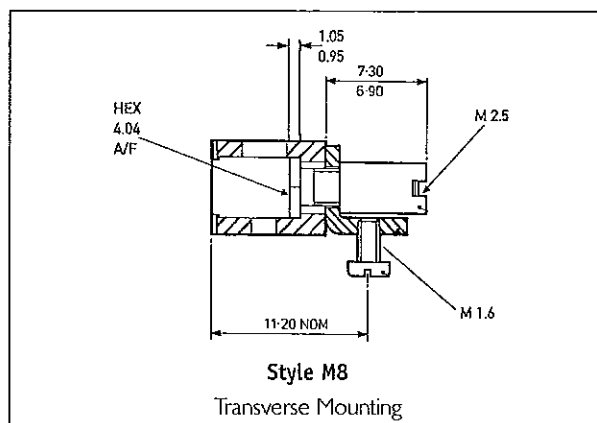
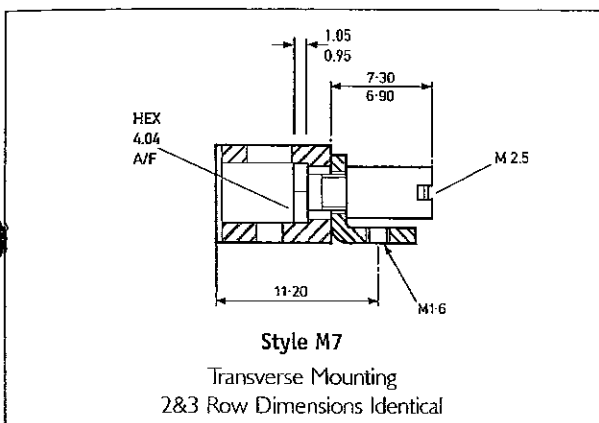
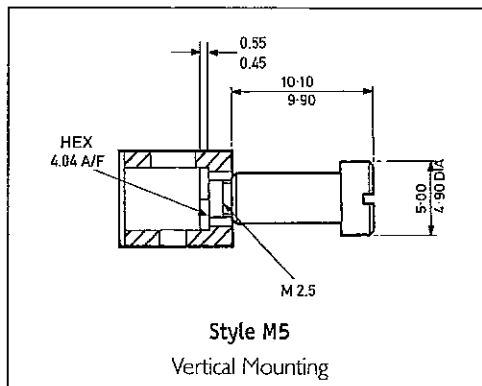
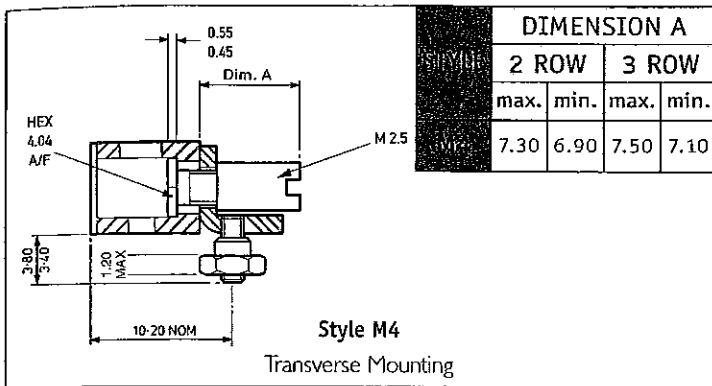
GUIDES (FEMALE)-UNPOLARISED



TWO PART PRINTED CIRCUIT BOARD CONNECTORS
HPD-HPP-HPF-HPM

Hypertac Limited, Waterloo Road, London NW2 7UH Telephone 01 450 8033 Facsimile 0181 208 3455

GUIDES (FEMALE)-UNPOLARISED

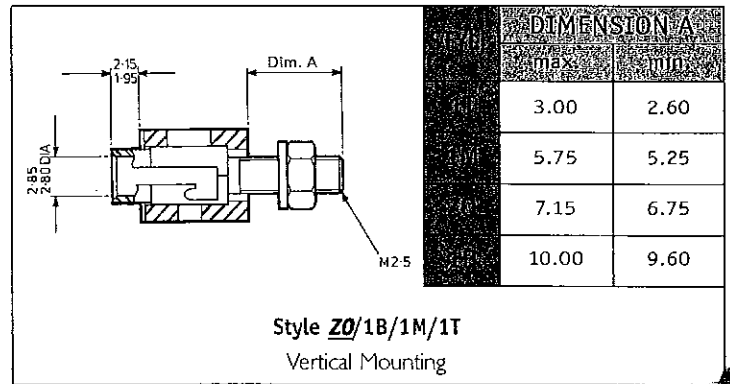
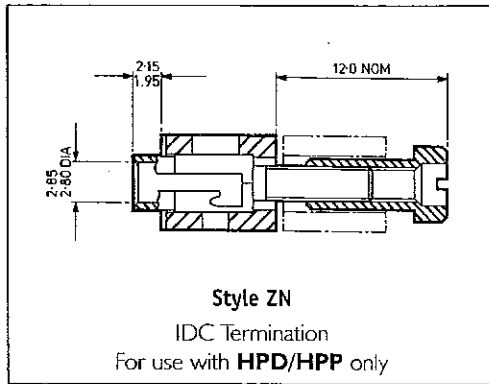
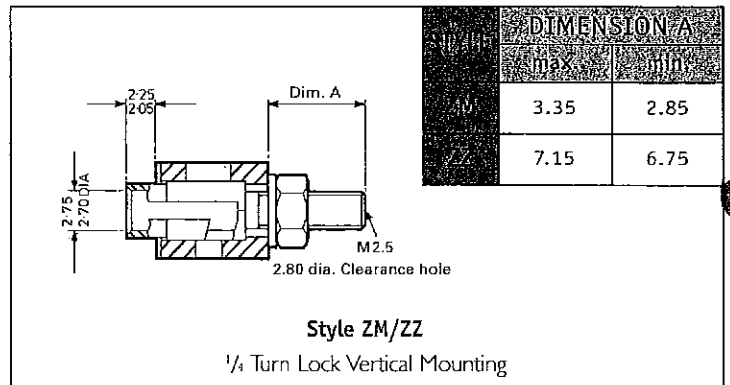
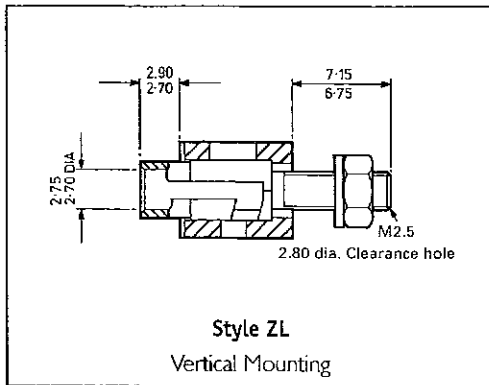
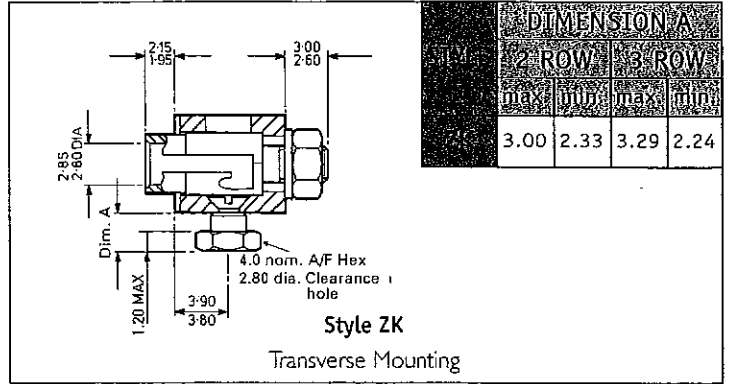
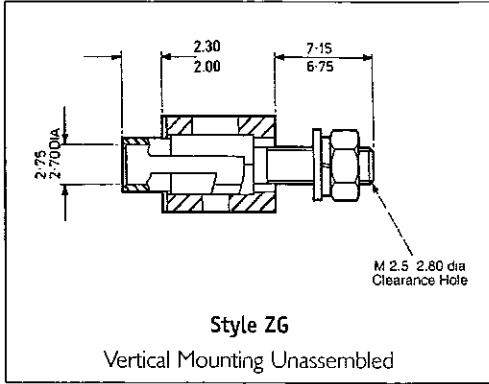


TWO PART PRINTED CIRCUIT BOARD CONNECTORS
HPD-HPP-HPF-HPM

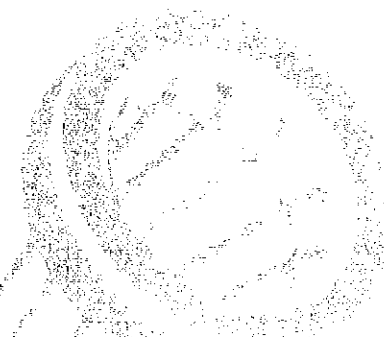
Hypertac Limited, Waterloo Road, London NW2 7UH Telephone 01 81 450 8033 Facsimile 01 81 208 3455

TWO PART PRINTED CIRCUIT BOARD CONNECTORS HPD-HPP-HPF-HPM

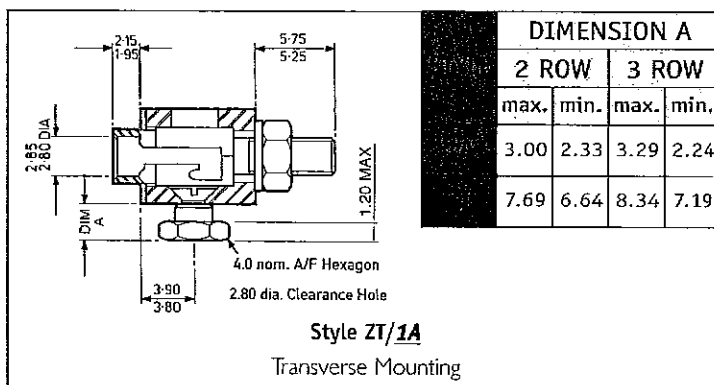
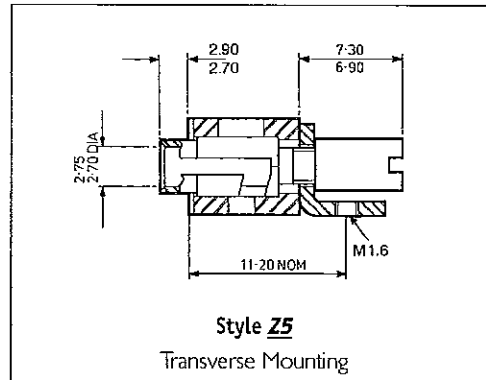
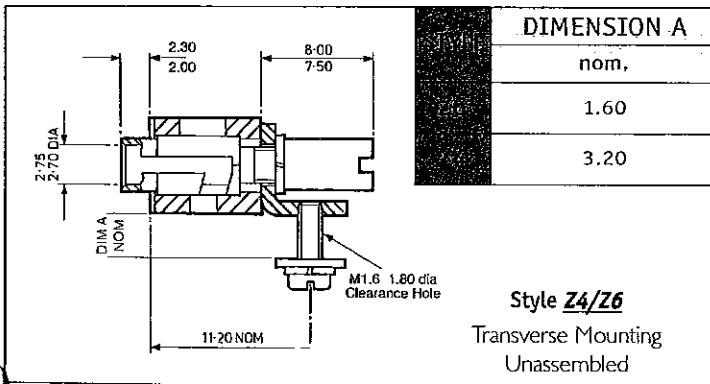
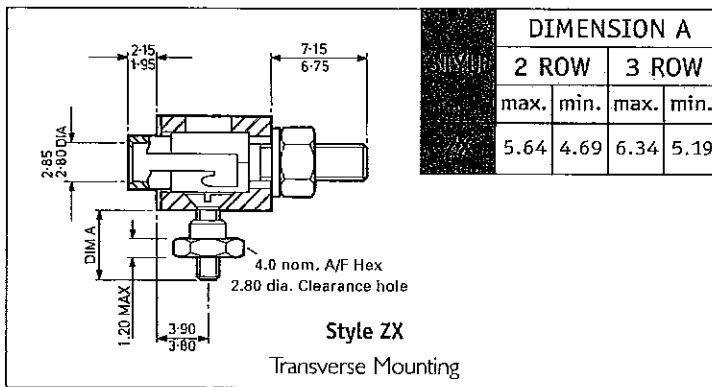
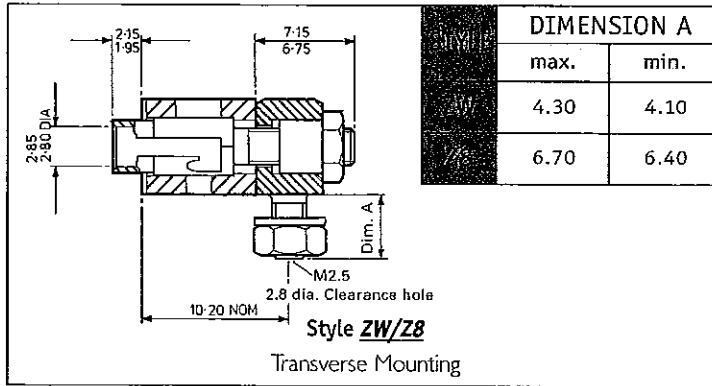
GUIDES (FEMALE) QUARTER TURN LOCK-POLARISED



Hypertac Limited, Waterloo Road, London NW2 7UH Telephone 0181 450 8033 Facsimile 0181 208 3455



GUIDES (FEMALE) QUARTER TURN LOCK-POLARISED



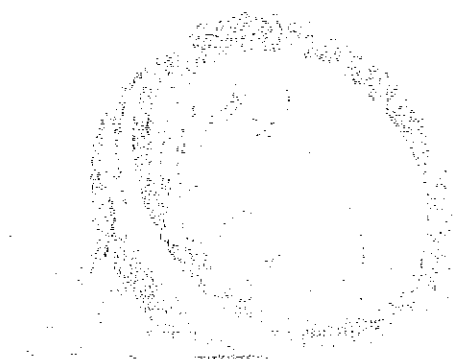
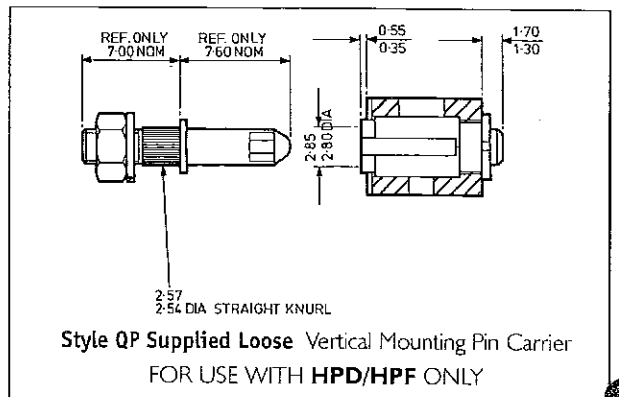
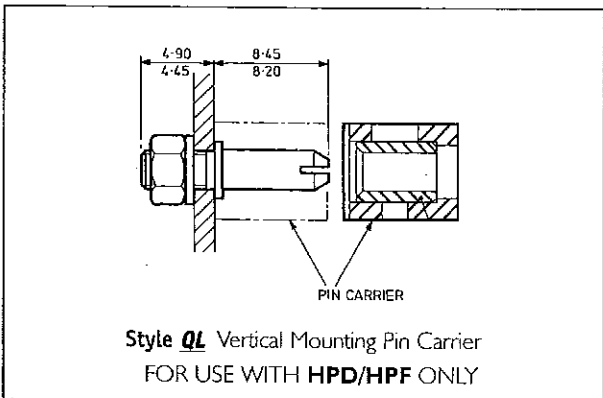
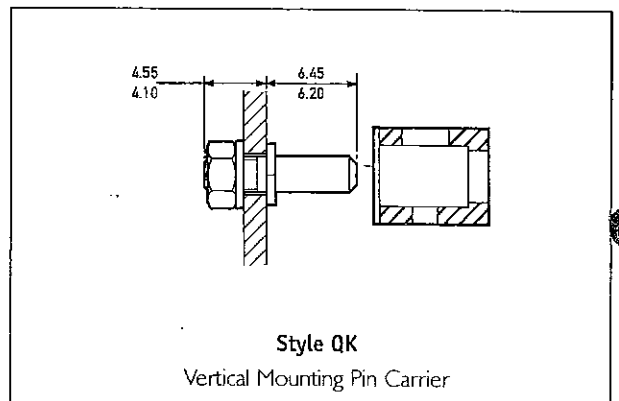
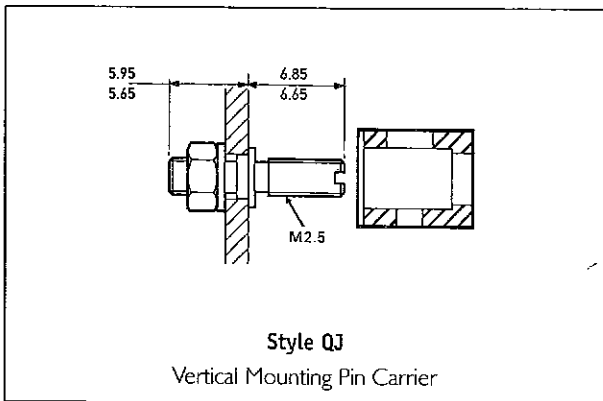
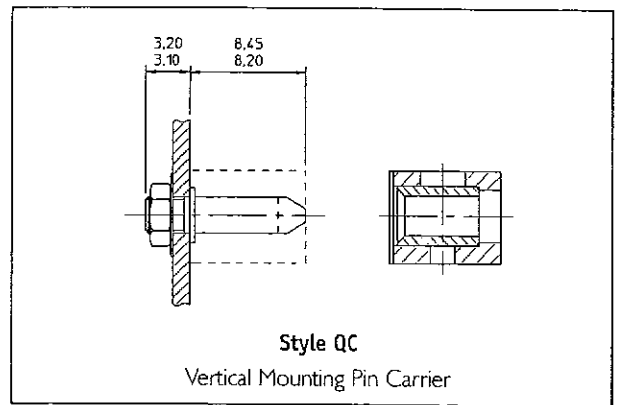
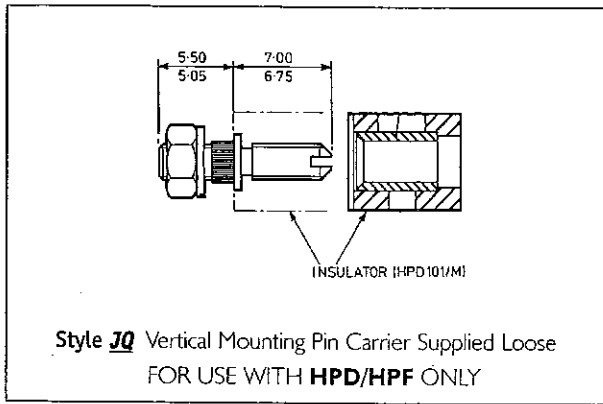
Hypertac Limited, Waterloo Road, London NW2 7UH Telephone 0181 450 8033 Facsimile 0181 208 3455

TWO PART PRINTED CIRCUIT BOARD CONNECTORS
HPD-HPP-HPF-HPM

TWO PART PRINTED CIRCUIT BOARD CONNECTORS HPD-HPP-HPF-HPM

Hypertac Limited, Waterloo Road, London NW2 7UH Telephone 0181 450 8033 Facsimile 0181 208 3455

GUIDES (MALE)-PIN CARRIER

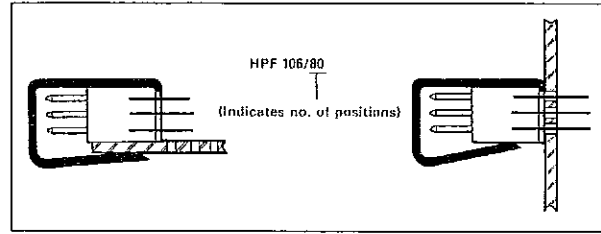
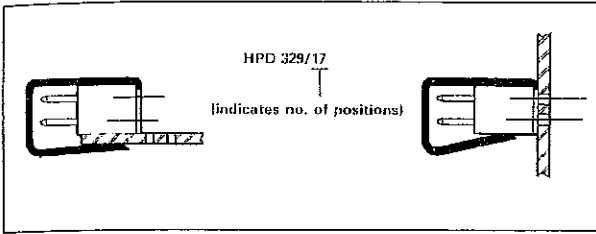


ACCESSORIES

PIN PROTECTOR (extruded polypropylene)

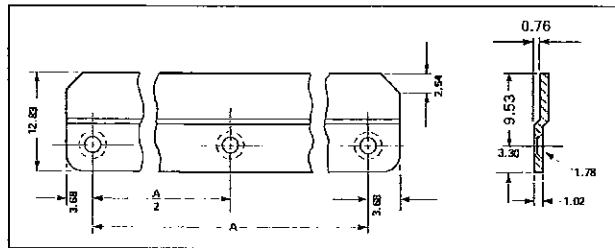
For plug assemblies of HPD style insulator. Available to fit all sizes.

For plug assemblies of HPF style insulator. Available to fit all sizes.



PIN PROTECTOR METAL PLATE (blue anodised aluminium alloy)

Use with HPD and HPF connectors only



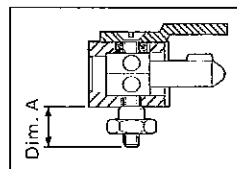
NO. OF POSITIONS	17	29	33	41	48	53	62	65	80	98	119	149
DIMENSION A	30.48	45.72	50.80	60.96	49.53	76.20	60.96	91.44	76.20	91.44	109.22	134.62
PROTECTOR PART NO.	HPD 630	HPD 631	HPD 632	HPD 633	HPD 1059	HPD 634	HPD 1030	HPD 635	HPD 634	HPD 640	HPD 947	HPD 1178
SPACER PART NO.	HPD 654	HPD 654	HPD 654	HPD 654	HPD 655	HPD 654	HPD 655	HPD 654	HPD 655	HPD 655	HPD 655	HPD 655

NO. OF POSITIONS	72	84	96	120	160
DIMENSION A	106.68	121.92	137.16	167.64	149.86
PROTECTOR PART NO.	HPD 636	HPD 637	HPD 638	HPD 639	HPD 641
SPACER PART NO.	HPD 654	HPD 654	HPD 654	HPD 654	HPD 655

Order countersunk head screws from following table, same quantity as spacers.

DIMENSION A				
2 ROW		3 ROW		
max.	min.	max.	min.	
3.53	2.18			
4.59	3.12			
5.59	4.12			
6.59	5.12	3.69	2.22	
7.59	6.12	4.69	3.22	
3.59	7.12	5.69	4.22	
9.59	8.12	6.69	5.22	

When used in 62 & 80 position insulators deduct 0.25mm to Dimension A (3 Row)



Hypertac Limited, Watlington Road, London NW2 7UH Telephone 01 81 450 8033 Facsimile 01 81 208 3455

TWO PART PRINTED CIRCUIT BOARD CONNECTORS
HPD-HPP-HPF-HPM